

# KEK-4 junction boxes



## product description

The KEK-4 is a stainless-steel junction box designed to connect up to 4 load cells in parallel. The junction box can be connected with a shielded 6-wire cable to the instrumentation. Corner trimming by the addition of resistors.

## applications

Universal applications in weighing machinery, process weighing, test & measurement and process automation and control sectors.

## key features

Stainless steel construction

Environmental protection rated to IP65

Connects 4 load cells

Compatible with 4 or 6 wire devices

Maximum cable diameter of 8mm

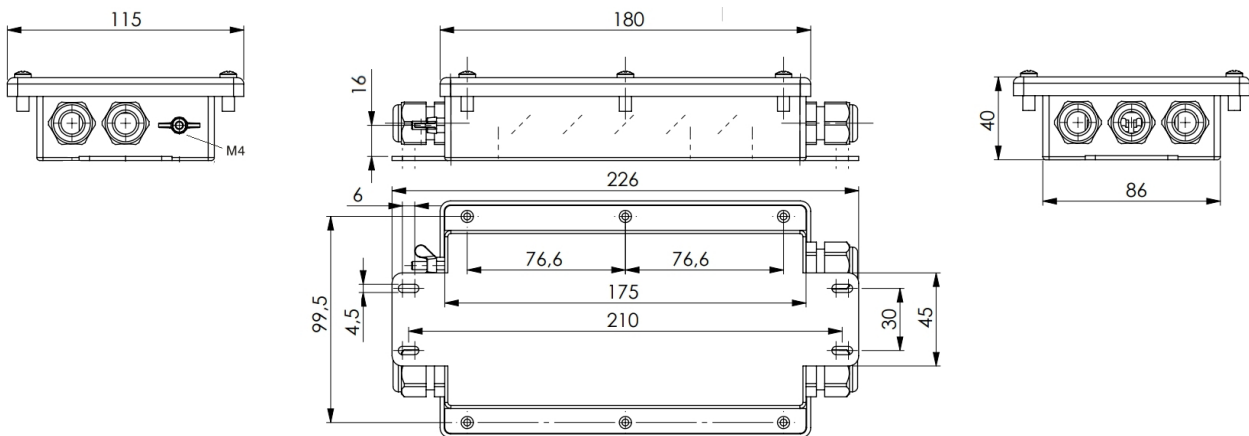
Cable connection with clamping terminals



RoHS  
compliant

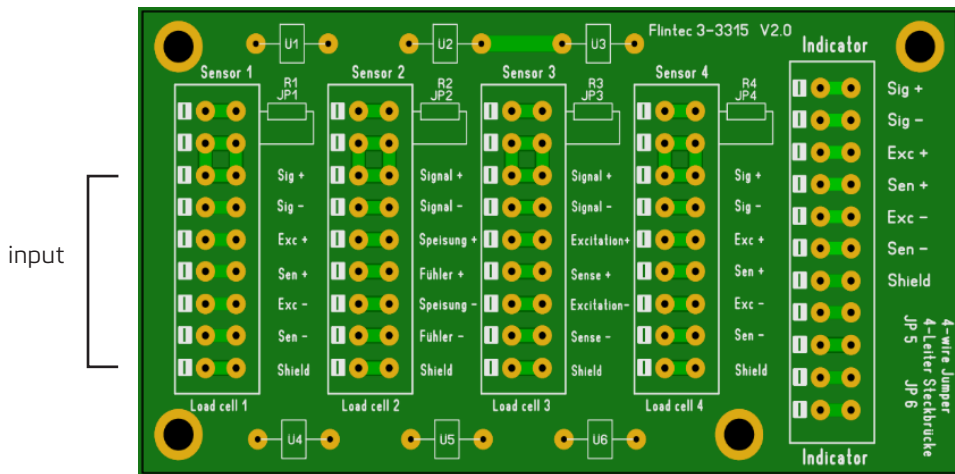


## product dimensions (mm)



Dimension tolerances +/- 2mm

## wiring - input connections



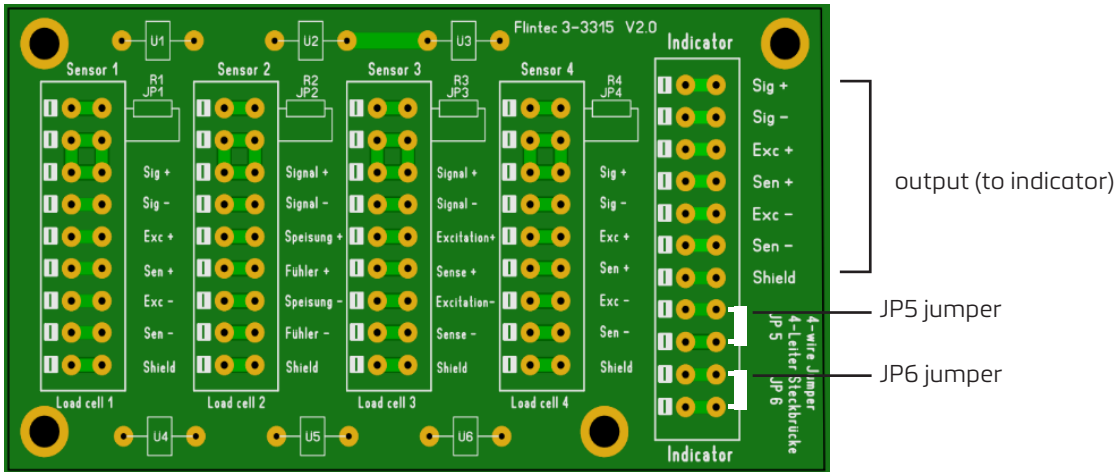
### load cell wire (input)

### terminal designation

+ Signal	Sig +
- Signal	Sig -
+ Excitation	Exc +
+ Sense*	Sen +
- Excitation	Exc -
- Sense*	Sen -
Shield	Shield

\* - For 6-wire load cells.

## wiring - output connections



### terminal designation

### cable colour, example

Sig +	white
Sig -	pink
Exc +	green
Sen +	yellow
Exc -	brown
Sen -	grey
Shield	outer cable screen

Depending on the type and manufacturer, cables may have different colours.

## jumpers

For 4-wire load cells, the jumpers JP5 and JP6 must be inserted to ensure proper functionality.

For 6-wire load cells, the jumpers JP5 and JP6 must be removed to activate the sense wires.

Dimensions and specifications are subject to change without notice.