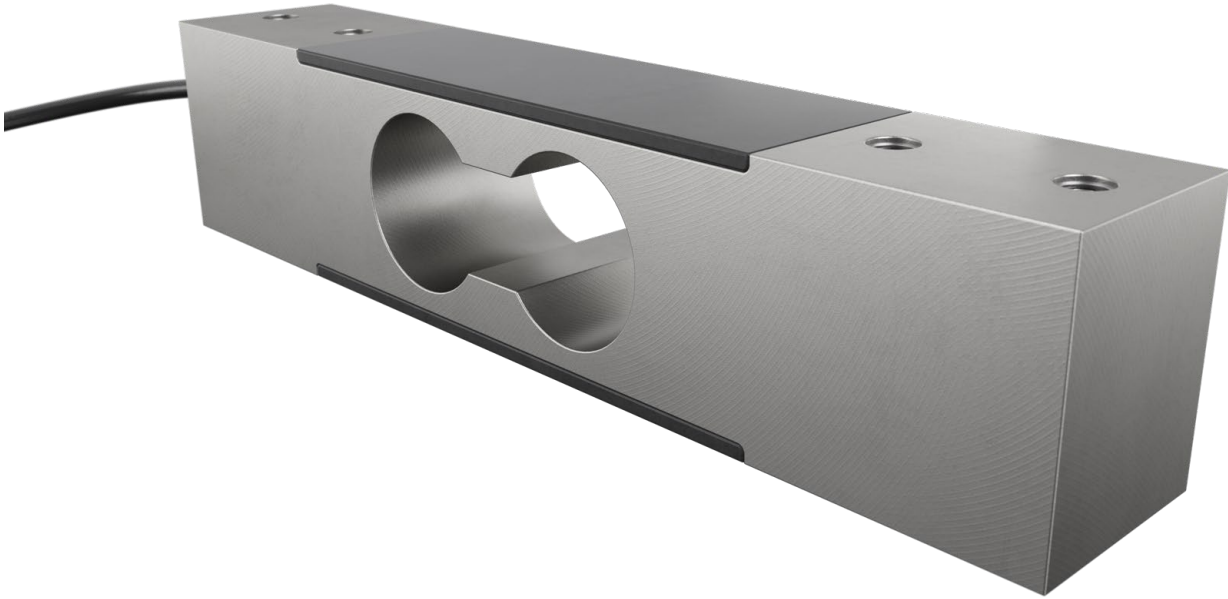


PC3 single point load cell



product description

The PC3 is a high-accuracy, single-point load cell ideal for a wide variety of weighing tasks. The PC3 is constructed from stainless steel and is environmentally protected with durable potting material. Capacities ranging from 7kg through to 10kg and certification from OIML and NTEP for use in trade-approved applications.

The PC3 is similar to both the PC1 and PC30, offering alternative mounting hole pattern.

applications

Bench scales, packaging and grading machines, bag filling equipment, bottle filling machinery.

approvals

OIML approval to C3 (Y=20,000)

NTEP approval to 5,000, Single Cell, Class III & 10,000, Single Cell, Class III

key features

Stainless steel construction

Wide range of capacities from 7kg through to 150kg

High accuracy

Environmentally sealed by potting to IP67

For platform sizes of up to 350x350 (7...3kg) & 450x450 (60...15kg)

accessories

Compatible range of hardware

Compatible range of electronics



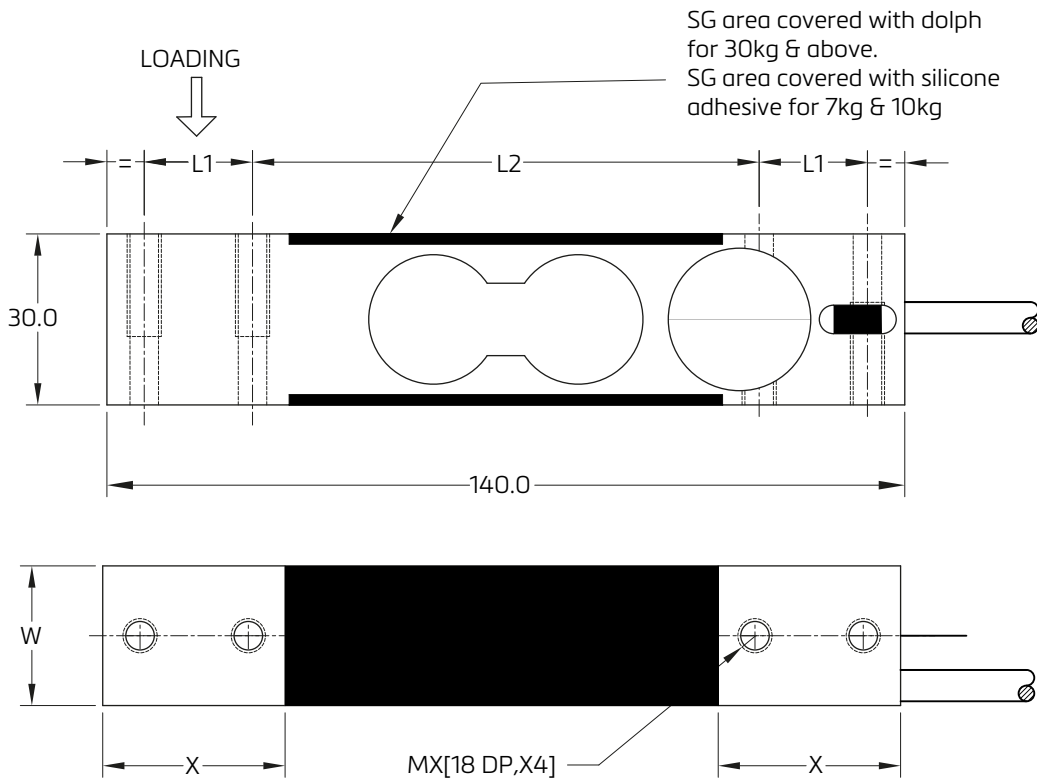
RoHS
compliant



specifications

Maximum capacity (E_{max})	kg	7/10/30/60/100/150	
Accuracy class according to OIML R60	-	(GP)	C3
Maximum number of verification intervals (n_{max})	-	n.a.	3,000
Minimum load cell verification interval (v_{min})	-	n.a.	$E_{max} / 20,000$
Temperature effect on minimum dead load output (TC_0)	%*RO/10°C	± 0.0040	± 0.00140
Temperature effect on sensitivity (TC_{RO})	%*RO/10°C	± 0.0020	± 0.0010
Combined error	%*RO	± 0.040	± 0.020
Creep error (30 minutes) / DR	%*RO	± 0.060	± 0.016
Rated Output (RO)	mV/V	2 ± 10%	
Zero balance	%*RO	0 ± 5	
Excitation voltage	V	5...15	
Input resistance (R_{LC})	Ω	385 ± 15	
Output resistance (R_{out})	Ω	350 ± 10	
Insulation resistance (100 V DC)	MΩ	P 5,000	
Safe load limit (E_{lim})	%* E_{max}	200	
Ultimate load	%* E_{max}	300	
Safe side load	%* E_{max}	100	
Compensated temperature range	°C	-10...+40	
Operating temperature range	°C	-20...+70	
Load cell material	-	Stainless steel 17-4 PH	
Sealing	-	Potted	
Protection according to DIN 40.050	-	IP 67	
Max platform size load according to OIML	mm	350X350 for 7...30kg / 450X450 for 60...150kg	

product dimensions (mm)

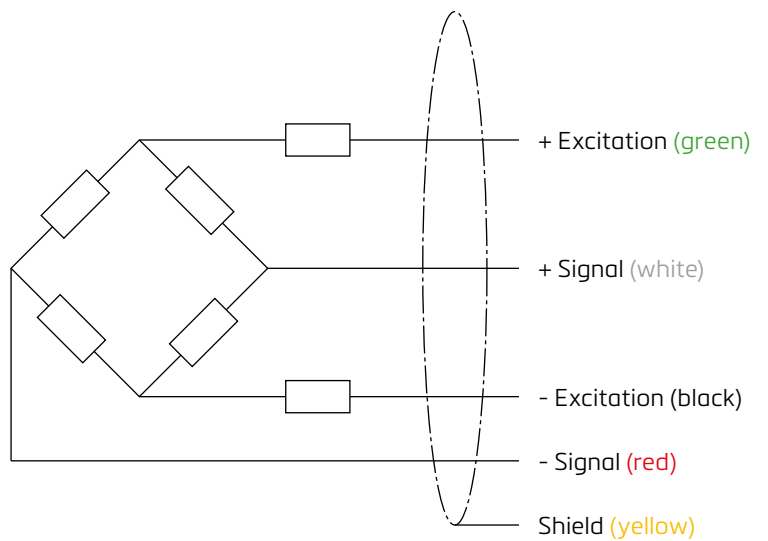


Capacity (kg)	W	L1	L2	X	MX
7 - 30	18.2	19	88.9	32	M6x1
60	24.5	19	88.9	32	M6x1
100 - 150	30.8	22.4	79.3	38	M10x1.5

wiring

24AWG 4 CCOND FOIL SHIELDED TPM

Cable length: 3m



Specifications and dimensions are subject to change without notice.