

FAA-26 & FAA-27 analogue amplifiers



product description

The FAA-26 and FAA-27 analogue amplifiers are accurate and economic, being easy to integrate into process control systems. The FAA-26 and FAA-27 allow comfortable calibration and set up with rotary switches. The following programmable output possibilities are available:

FAA-26: 4...20 mA or 0...10VDC

FAA-27: 0...20mA, 4...20 mA, 0...10VDC or 0...5VDC.

Two relay contacts for setpoints, 230 VAC or 30 VDC, 1 A can be set via programming rotary switches on the front of the instrument or via PC software xFace over RS232 interface.

applications

Universal Process Weighingsystems and process automation & control applications.

key features

Load cell excitation 5 V DC for up to 4 load cells à 350Ω or 12 Load cells of 1,100Ω.

4 Wire load cell connection

Analogue output 0...20mA, 4...20 mA, 0...10VDC or 0...5VDC selectable.

3 step digital filter

Set up and calibration via rotary switches

Preadjusted instrument for calibration with PLC

Power supply 12...28 V DC

DIN-rail mounting, IP20



RoHS
compliant



specifications

Type	-	FAA 26	FAA 27
------	---	--------	--------

A/D Converter

Analogue input range	mV	0 to 20	
Linearity	%	0.01 or better	
Digital Filter	-	-	3 step adjustable
Min. input per scale interval	µV	0.1	
A/D converter	-	24 bit Delta-Sigma ratiometric with integral analog and digital filters	
Internal resolution	counts	16,000,000	
Temperatur drift	%FSR /°C	< 0.007	

Scale Calibration & Analogue Output

Calibration	-	With rotary switches in the front with any test load. Preadjusted and matched instrument for calibration at PLC	With rotary switches in the front with any test load. Fast calibration, 20% Max. Electronic calibration via PC. Preadjusted instrument for calibration at PLC
D/A converter	-	16 bit, very low drift DAC	
Analogue output	mA or VDC	Current output 4-20 mA or voltage output for 0-10 VDC	Current output 0-20 mA, 4-20mA, or voltage output for 0-5 VDC, 0-10 VDC
Digital output	-	2 free programmable contacts for set-points, 230 VAC or 30 VDC, 1A.	

Load Cells

Excitation	VDC	5	
Number of load cells	count	Up to 4x350Ω or 12x1,100Ω	
Connection	-	4 wire technic	
Max. cable length	m	300	

Setup & Communication

Front panel	-	2 rotary switches, 3x status LED	
PC software	-	RS232 interface for electronic calibration without test weights	

Power Supply

DC power supply	VDC	12...28, < 200 mA	
-----------------	-----	-------------------	--

Environment & Enclosure

Operation temperature	°C	Between -10 and +45 at 85% RH max, non-condensing / -15 and +55 non OIML approved.	
Enclosure	-	Polyamide, for DIN-rail mount, protection class IP20	
Dimensions	mm	22.5 x 99 x 114.5	

product dimensions (mm)

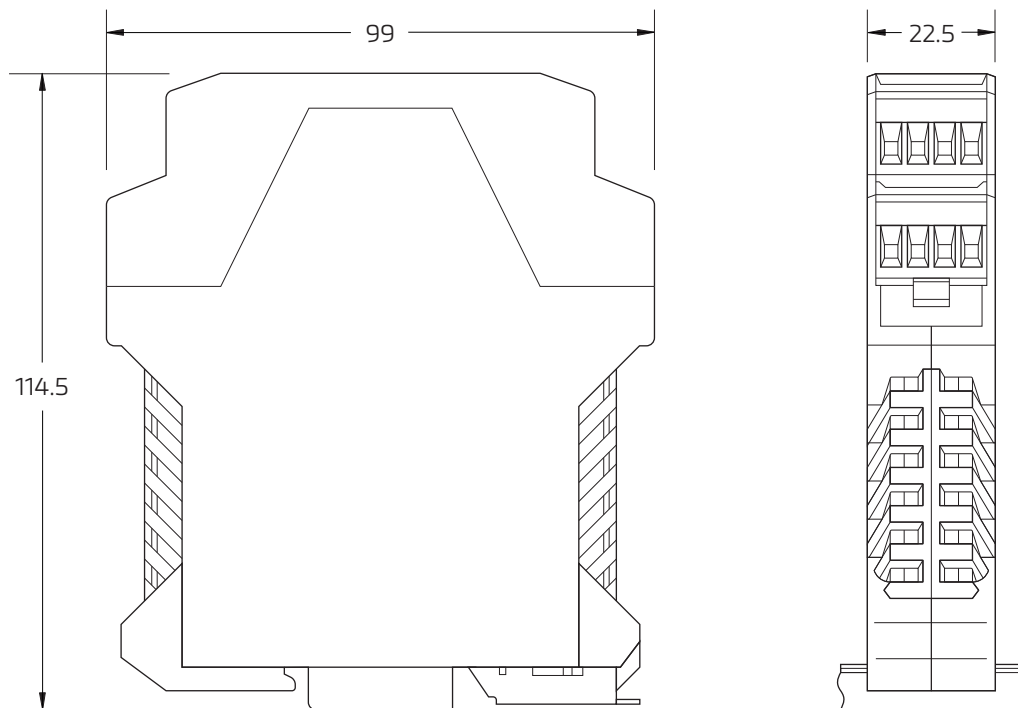


Diagram details are for illustration purposes only.

Dimensions and specifications are subject to change without notice.