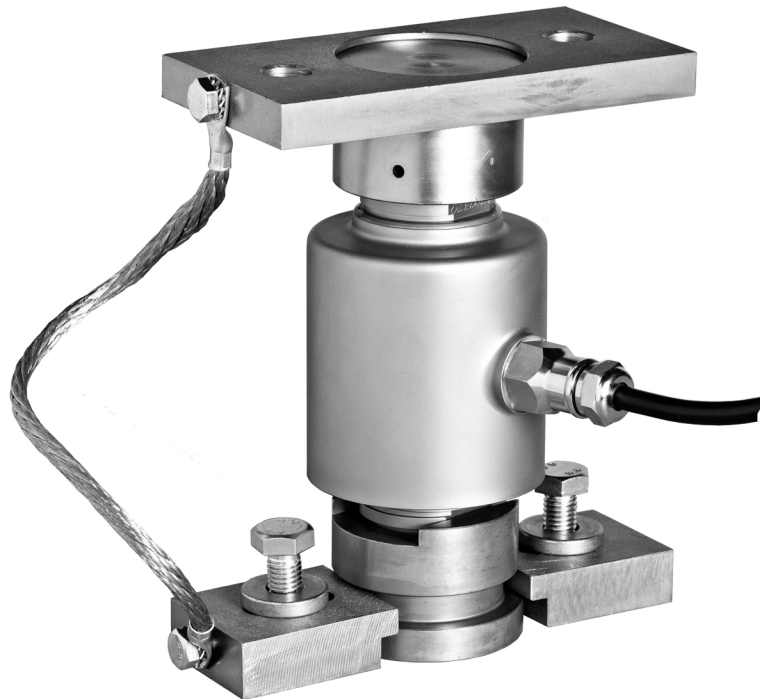


# 55-01-07C rocker system



## product description

Flintec load cell supports are designed to prevent unwanted forces from affecting load cell performance.

Zinc plated steel mounting hardware for the RC3 and RC3D rocker load cells. Designed to be self-aligning, the 55-01-07C ensures optimum weighing accuracy in a range of industrial applications. Ideal for truck scale systems. A mounting fixture is available for easy and accurate positioning of foundation plates.

## applications

Truck scales, axle scales.

## accessories

Mounting fixture

Welding plate

## key features

Zinc plated steel construction

Anti-rotation device

Capacities of 30t, 40t and 50t

Low cost

Very easy to install

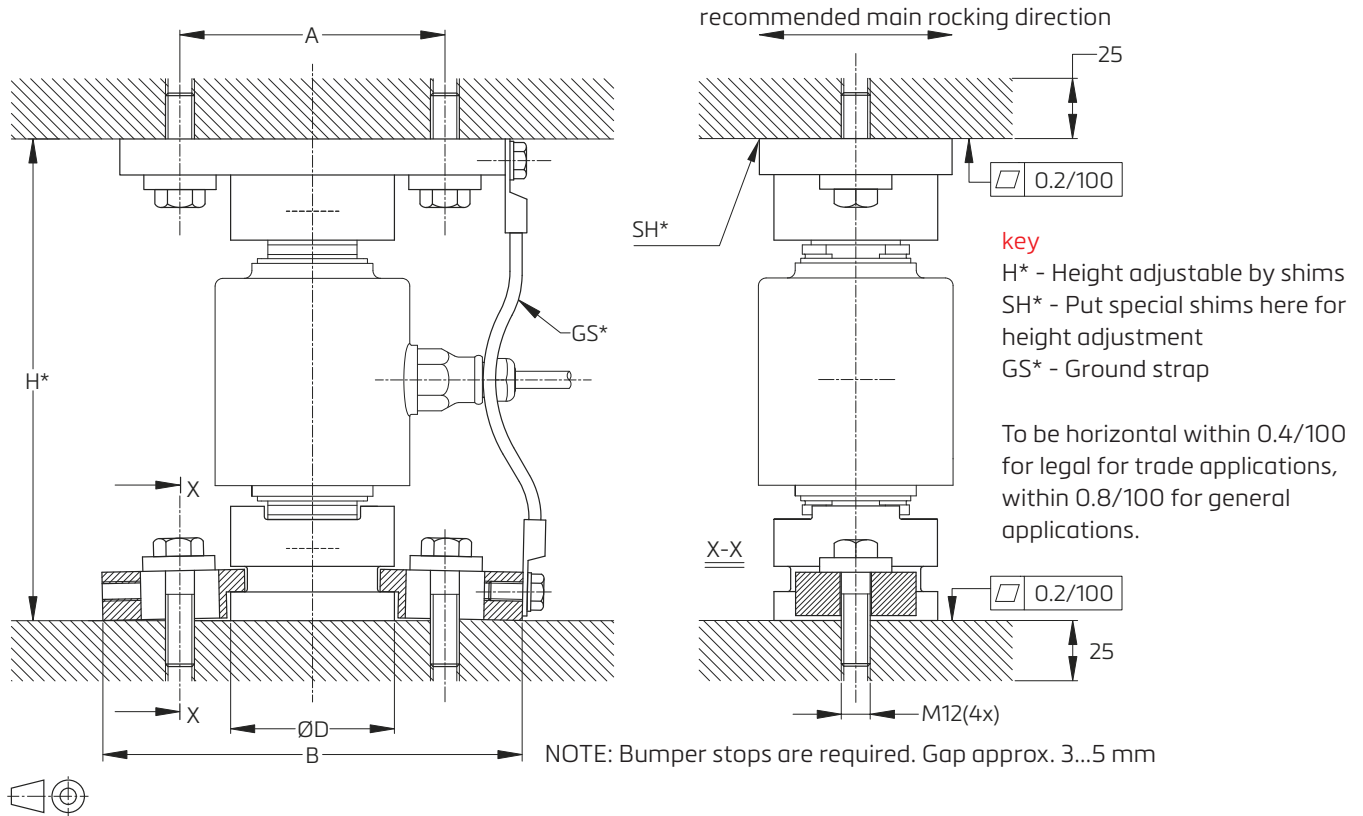
Especially designed for weighbridges

W&M certified

RoHS  
compliant

 **flintec**

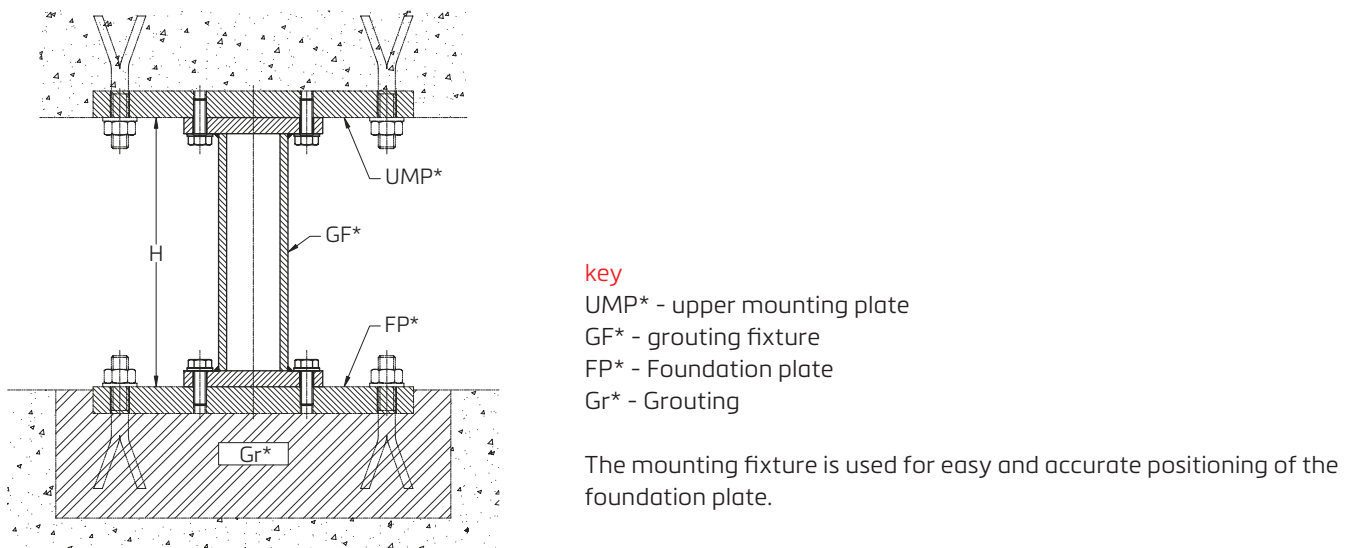
## product dimensions (mm)



Load Cell Type	A	B	D	H
RC3-30 t	110	176	68	200
RC3-40 t / RC3D-30 t / RC3D-40 t				210
RC3-50 t / RC3D-50 t	130	196	88	240

CAD files for customer's own application drawings are available for download from the Flintec homepage.

## accessories



Specifications and dimensions are subject to change without notice.