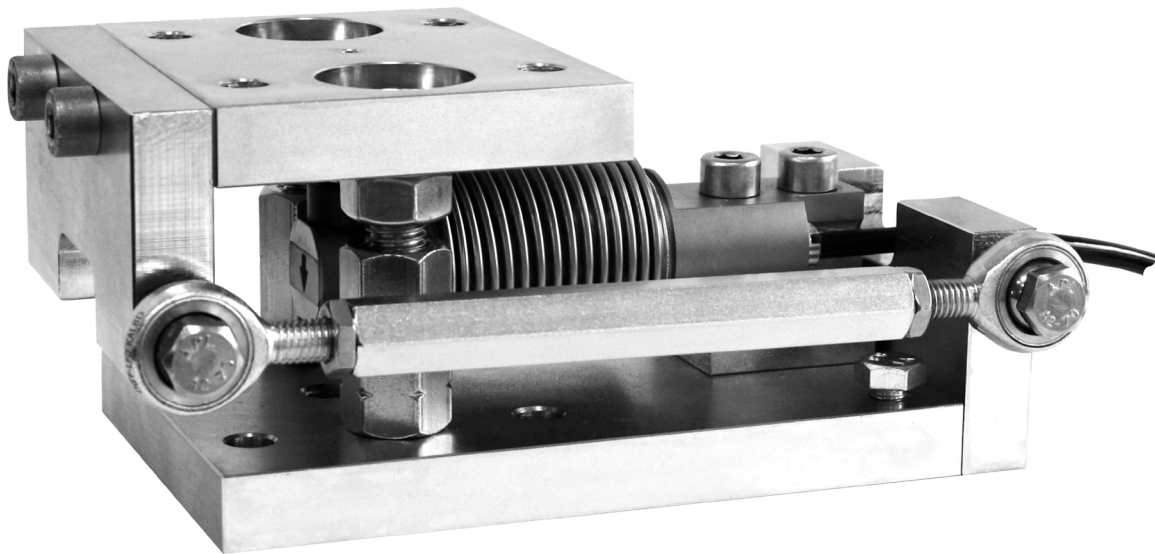


# 52-28 weigh module



## product description

Flintec load cell supports are designed to prevent unwanted forces from affecting load cell performance.

The type 52-28 weigh module is a compact and very cost-effective unit especially designed for load cells in hopper and tank weighing applications. Display resolution down to 100g possible. All modules within a scale are identical and can be freely oriented in any direction. It incorporates an integrated check link to eliminate oscillations caused by slow moving agitators etc. If delivered with a load cell the weigh module will be shipped completely pre-assembled ready for installation by welding or bolting. Especially designed for SB6 and SB8 load cells. Integrated lift-off and overload protection comes as standard.

## applications

Tank and vessel weighing systems.

## accessories + options

Welding plate

Welding fixture

Weigh module without check link

Stainless steel version

## key features

Universal system

Capacity range up to 500kg

Load introduction by ball and socket joint

Low profile

Easy to install

Integrated check link (max. 5kN)

Rod ends assure a tension-free installation and therefore an optimal accuracy/repeatability

Integrated lift off protection (max. 5kN)

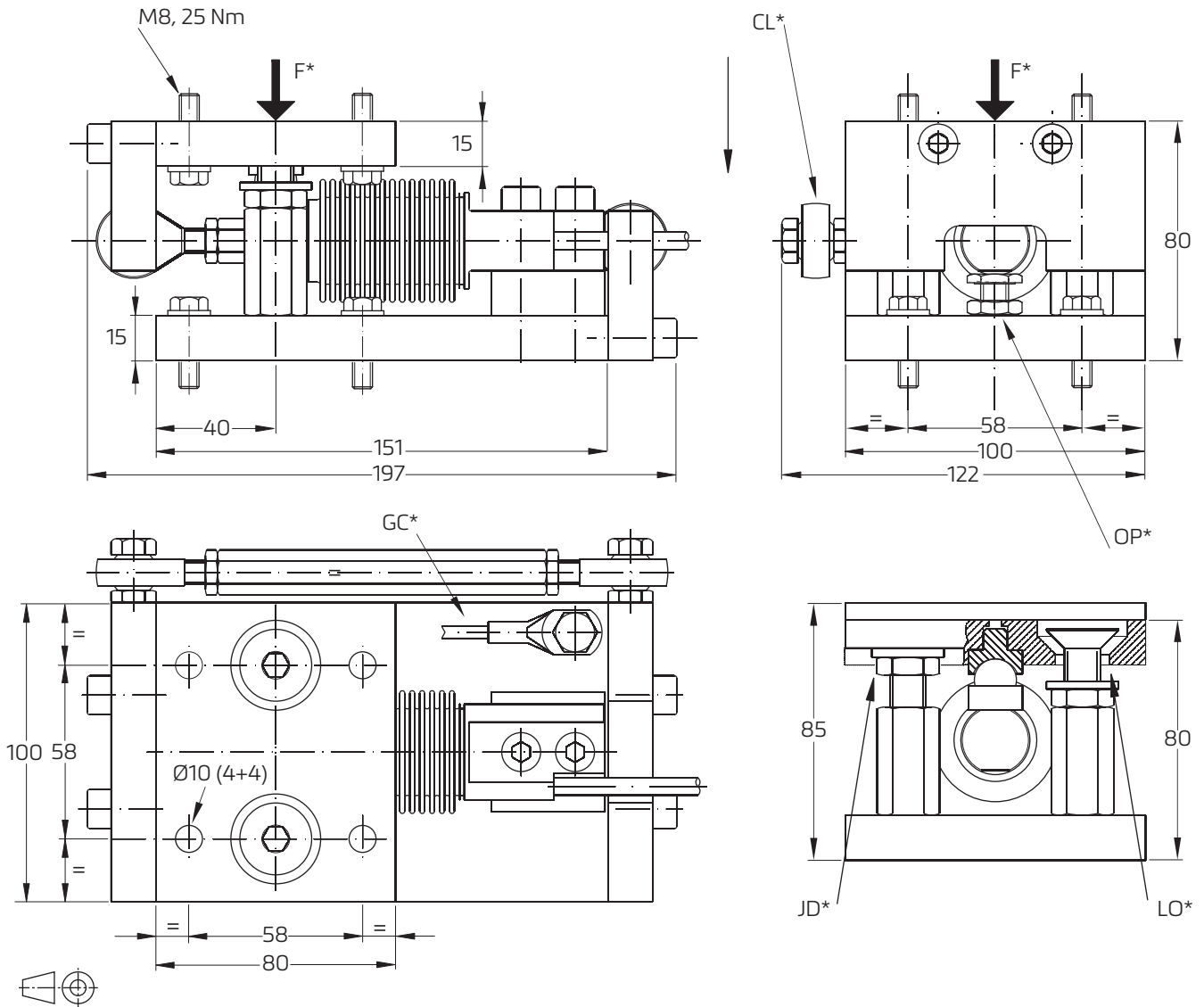
Integrated overload protection

Load cell replacement requires minimum lifting height by integrated jacking device

RoHS  
compliant

 **flintec**

product dimensions (mm)



notes

Tank foot and foundation plate to be horizontal:

-within 0.4/100 for legal-for-trade applications;

-within 0.8/100 for general applications.

Maximum force on check link: 5Kn

Maximum force on lift-off-protection: 5kN

key

$F^*$  - Applied force

$CL^*$  - Check link (mounted on the right or on the left)

$OP^*$  - Overload protection

$GC^*$  - Ground cable

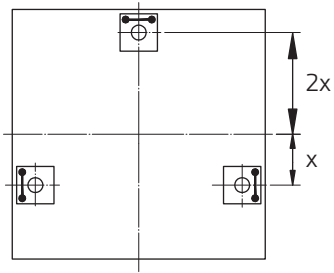
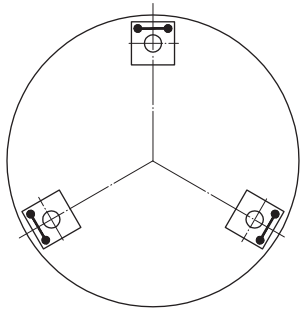
$JD^*$  - Integrated jacking device (2x M12)

$LO^*$  - Integrated lift-off protection (2x M12)

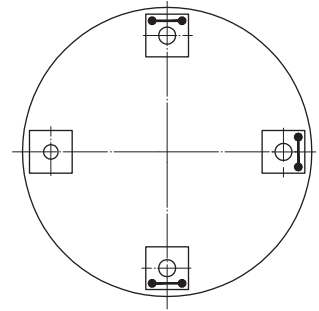
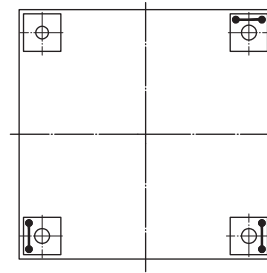
CAD files for customer's own application drawings are available for download from the Flintec homepage.

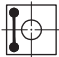

## check link orientation

3 load cells



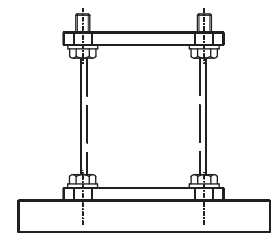
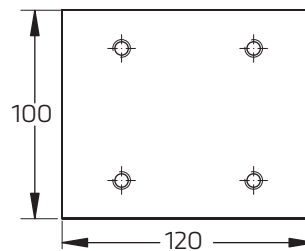
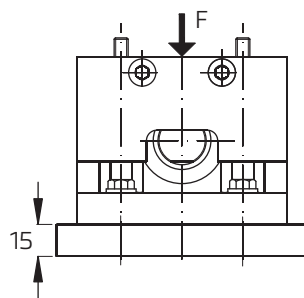
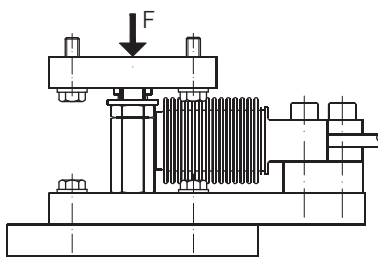
4 load cells



Drawing symbols:  Unit with check link  Unit without check link

## available accessories

Welding plate



Welding plate on bottom (shown here), top or both  
F\* - Applied force

Shown with welding fixture

Specifications and dimensions are subject to change without notice.