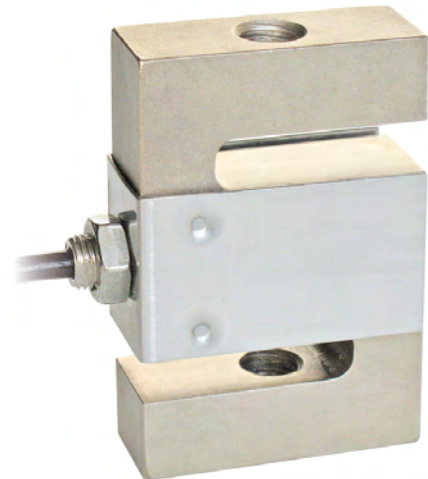




Capacity from 25 kg to 2500 kg



- SPECIAL STEEL
- COMBINED ERROR $\leq \pm 0.02\%$ (0.017% C4)
- PROTECTION CLASS IP67

CAPACITY	kg	ACCURACY CLASS		IECEx	Ex	EAC	NET WEIGHT OF LOAD CELL (kg)	CODE
		C3	C4					
25		–	–	•	•	•	0.4	SL25
100		•	•	•	•	•	0.6	SL100
200		•	•	•	•	•	0.6	SL200
300		•	•	•	•	•	0.6	SL300
500		•	•	•	•	•	0.7	SL500
1000		•	•	•	•	•	0.9	SL1000
2500		•	•	•	•	•	1.6	SL2500

ON REQUEST

CERTIFICATIONS



OIML R60 C3

CERTIFICATIONS ON REQUEST



ATEX II 1GD (zone 0-1-2-20-21-22)



IECEx (zone 0-1-2-20-21-22)



OIML R60 C4

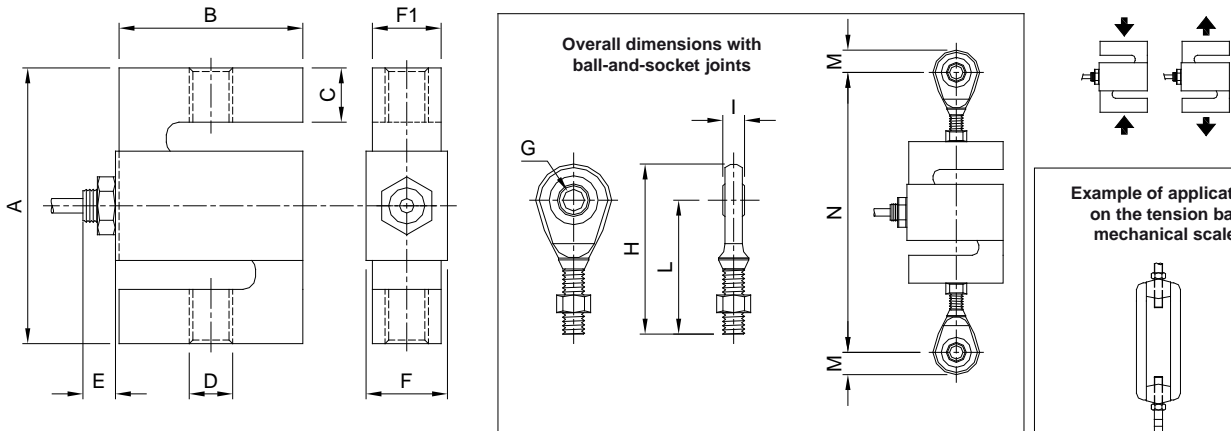


Complies with the Eurasian Custom Union regulations (Russia, Belarus, Kazakhstan)

COMPLEMENTARY ACCESSORIES

	DESCRIPTION	CODE
	Dimensions:	Load cell capacity:
	Special steel ball-and-socket joint with nut.	
	M8x1.25	25 kg
	M10x1.5	100 kg
	M12x1.75	200-1000 kg
M20x1.5	2500 kg	
		EM8DADO
		EM10DADO
		EM12DADO
		EM20DADO

DIMENSIONS (mm)



	A	B	C	D	E	F	F1	G	H	I	L	M	N
25 kg	76.2	50.8	15.5	M8x1.25	11	16.2	13	Ø8	54	8	43	11.5	131
100 kg	76.2	50.8	15.5	M10x1.5	10	22.5	19	Ø10	62	9	48.5	14.5	142
200 kg (a)			15 (a)										156 (a)
300 kg (b)	76.2	50.8	14 (b)	M12x1.75	10	22.5	19	Ø12	72	10	55	17	158 (b)
500 kg (c)			13.5 (c)										159 (c)
1000 kg	76.2	50.8	13.5	M12x1.75	10	29	25.4	Ø12	72	10	55	17	161
2500 kg	101.5	76.2	20	M20x1.5	7	29	25.4	Ø20	105	16	80	25	221.5

TECHNICAL FEATURES

Material	Special steel		
OIML R60 Accuracy class • Verification intervals	-	C3 • 3000	C4 • 4000
Nominal load (E max)	25 kg	100 - 200 - 300 kg 500 - 1000 - 2500 kg	100 - 200 - 300 kg 500 - 1000 - 2500 kg
Minimum verification interval (V min)	-	E max / 10000 E max / 15000	E max / 20000
Combined error	≤ ±0.02%	≤ ±0.02%	≤ ±0.017%
Protection class	IP67		
Rated output	2 mV/V ±0.2%	Input resistance	350 Ω ±3.5
Temperature effect on zero	0.0015% °C	Output resistance	350 Ω ±3.5
Temperature effect on span	0.0017% °C	Zero balance	±1%
Compensated temperature range	-10 °C / +40 °C	Insulation resistance	>5000 MΩ
Operating temperature range	-35 °C / +65 °C	Safe overload (% of full scale)	150%
Creep at nominal load in 30 minutes	0.03%	Ultimate overload (% of full scale)	300%
Max supply voltage without damage	18 V	Deflection at nominal load	0.4 mm

ELECTRICAL CONNECTIONS

Cable length	5 m (25 - 300 kg); 10 m (500 - 2500 kg)
Cable diameter	5 mm
Cores	4 x 0.24 mm ²



The Company reserves the right to make changes to the technical data, drawings and images without notice.