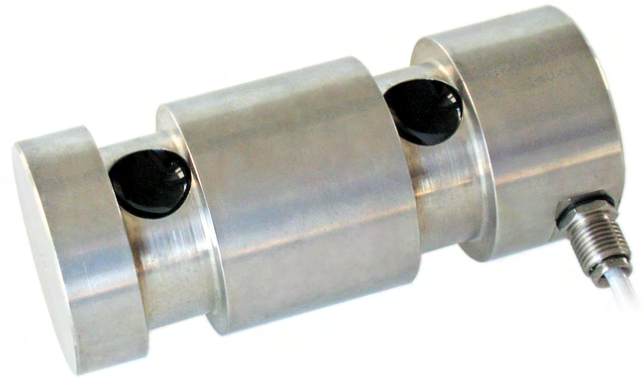




Manufactured according to OIML R60 standards

Capacity from 5000 kg to 20000 kg



- 17-4 PH STAINLESS STEEL
- COMBINED ERROR  $\leq \pm 0.1\%$
- IP67 PROTECTION RATING

CAPACITY	kg	NET WEIGHT (kg)
5000		2.9
10000		3.2
20000		3.4

## CERTIFICATIONS

**EAC** Complies with the Eurasian Customs Union standards

**UK CA** Equivalent of the CE marking for the United Kingdom

### CERTIFICATIONS ON REQUEST

✓ Linearity test

⚠ ATEX II 1GD (zone 0-1-2-20-21-22) (CE - UK CA)

IECEx (zone 0-1-2-20-21-22)

**EAC Ex** Complies with the Eurasian Customs Union standards for use in potentially explosive atmospheres

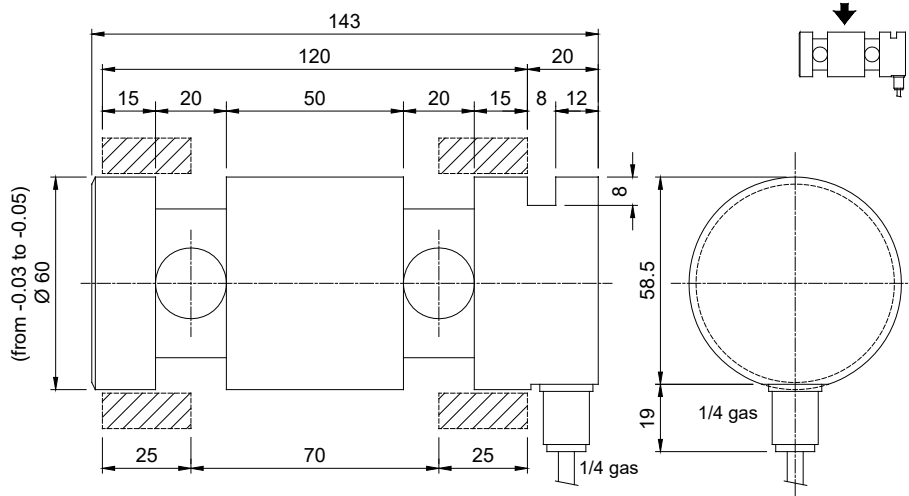
## OPTIONS ON REQUEST

### DESCRIPTION



Two redundant strain gauges Wheatstone bridges (350 Ω) with two output cables; for dual safety systems

### DIMENSIONS (mm)

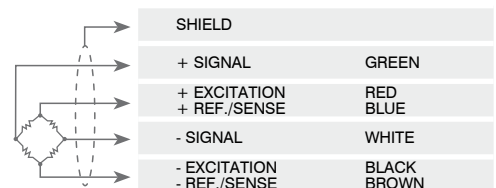


### TECHNICAL FEATURES

Material	17-4 PH stainless steel		
Nominal load (E max)	5000 - 10000 - 20000 kg		
Combined error	≤ ±0.1%		
Protection rating	IP67		
Rated output	1 mV/V ±0.1%	Input resistance	350 Ω ±20
Temperature effect on zero	0.005% °C	Output resistance	350 Ω ±5
Temperature effect on span	0.005% °C	Zero balance	±1%
Compensated temperature range	-20 °C / +70 °C	Insulation resistance	>5000 MΩ
Operating temperature range	-30 °C / +90 °C	Safe overload (% of full scale)	150%
Creep at nominal load in 30 minutes	0.03%	Ultimate overload (% of full scale)	400%
Max supply voltage without damage	15 V	Deflection at nominal load	0.4 mm

### ELECTRICAL CONNECTIONS

Cable length	10 m
Cable diameter	5 mm
Cores	6 x 0.14 mm <sup>2</sup>



The Company reserves the right to make changes to the technical data, drawings and images without notice.