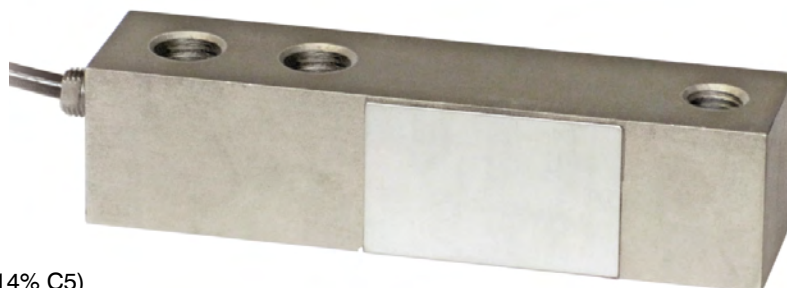


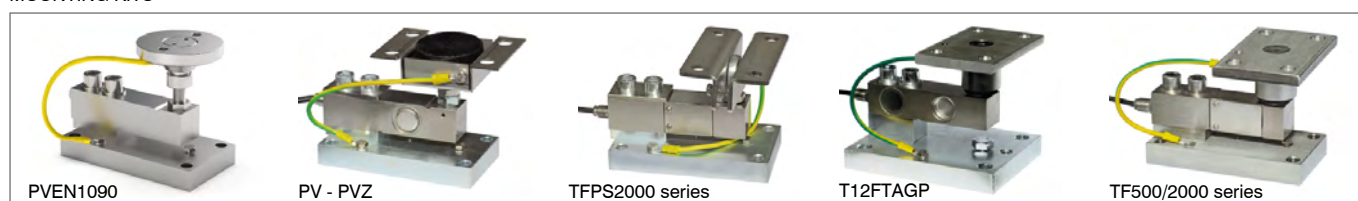


Capacity from 500 kg to 5000 kg



- AISI 4340 NICKEL PLATED STEEL
- COMBINED ERROR  $\leq \pm 0.02\%$  (0.017% C4; 0.014% C5)
- IP67 PROTECTION RATING

### MOUNTING KITS



CAPACITY	kg	ACCURACY CLASS					NET WEIGHT (kg)
		C3	C4	C5			
500		•	•	•	•	•	0.8
1000		•	•	•	•	•	0.8
1500		•	•	•	•	•	0.9
2000		•	•	•	•	•	0.9
3000		•	•	•	•	•	1.7
5000		•	•	•	•	•	1.7

ON REQUEST


### CERTIFICATIONS

- OIML R60 C3
- Complies with the Eurasian Customs Union standards
- Equivalent of the CE marking for the United Kingdom
- Complies with United Kingdom regulations for legal for trade use

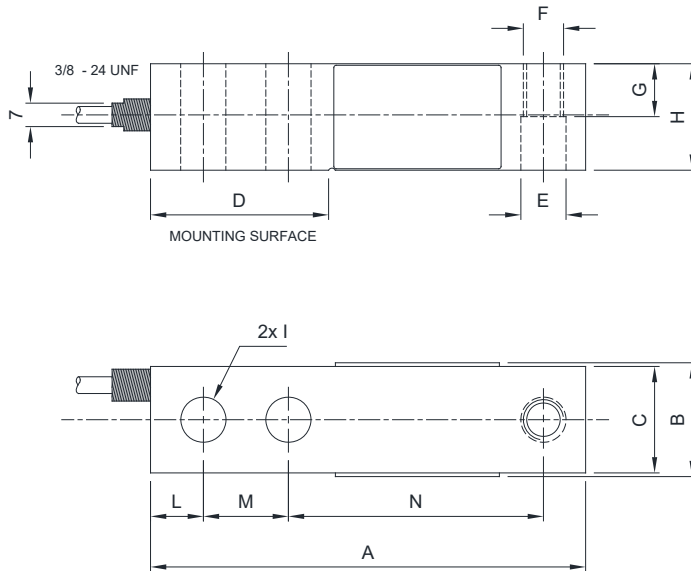
#### CERTIFICATIONS ON REQUEST

	Linearity test
	ATEX II 1GD (zone 0-1-2-20-21-22) (CE - UK CA)
	IECEx (zone 0-1-2-20-21-22)
	OIML R60 C4/C5
	Complies with the Eurasian Customs Union standards for use in potentially explosive atmospheres
	FM HazLoc - Complies with the United States and Canada standards for use in potentially explosive atmospheres
	NTEP - Complies with United States regulations for legal for trade use

### COMPLEMENTARY ACCESSORIES

DESCRIPTION	CODE
 <p>Special steel block for capacities up to 2000 kg.</p>	PIASTRINO

### DIMENSIONS (mm)



	500 kg	1000 - 1500 2000 kg	3000 - 5000 kg
A	130	130	171.5
B	-	32.8	39.1
C	31.8	31.8	38.1
D	53.2	53.2	76.2
E	Ø13.5	Ø13.5	Ø19.8
F	M12x1.75	M12x1.75	M18x1.5
G	16	16	19.3
H	31.8	31.8	38.1
I	Ø13.5	Ø13.5	Ø19.8
L	15.8	15.8	19.1
M	25.4	25.4	38.1
N	76.2	76.2	95.3

For the load cell fixing screws, provide the tightening torque indicated in the table

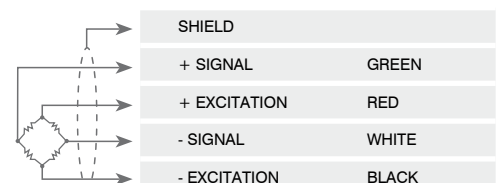
Screw	M12		M18	
Screw class	6.8	8.8	6.8	8.8
Tightening torque	50 Nm	79 Nm	205 Nm	280 Nm

### TECHNICAL FEATURES

Material	AISI 4340 nickel plated steel			
OIML R60 Accuracy class • Verification intervals	C3 • 3000	C4 • 4000	C5 • 5000	
Nominal load (E max)	500 - 1000 - 1500 kg 2000 - 3000 - 5000 kg		500 - 1000 kg 1500 - 2000 kg	3000 - 5000 kg
Minimum verification interval (V min)	E max / 10000	E max / 15000	E max / 20000	E max / 18000
Combined error	≤ ±0.02%	≤ ±0.017%	≤ ±0.014%	
Protection rating	IP67			
Rated output	3 mV/V ±0.1%	Input resistance	350 Ω ±3.5	
Temperature effect on zero	0.0018% °C	Output resistance	350 Ω ±3.5	
Temperature effect on span	0.0014% °C	Zero balance	≤ ±1%	
Compensated temperature range	-10 °C / +40 °C	Insulation resistance	≥5000 MΩ	
Operating temperature range	-35 °C / +65 °C	Safe overload (% of full scale)	150%	
Creep at nominal load in 30 minutes	0.02%	Ultimate overload (% of full scale)	300%	
Max supply voltage without damage	18 V	Deflection at nominal load	0.4 mm	

### ELECTRICAL CONNECTIONS

Cable length	4 m (500-2000 kg); 6 m (3000-5000 kg)
Cable diameter	5 mm
Cores	4 x 0.22 mm <sup>2</sup>



The Company reserves the right to make changes to the technical data, drawings and images without notice.