

**BENDING BEAM: capacity from 75 kg to 300 kg**



**SHEAR BEAM: capacity from 500 kg to 5000 kg**

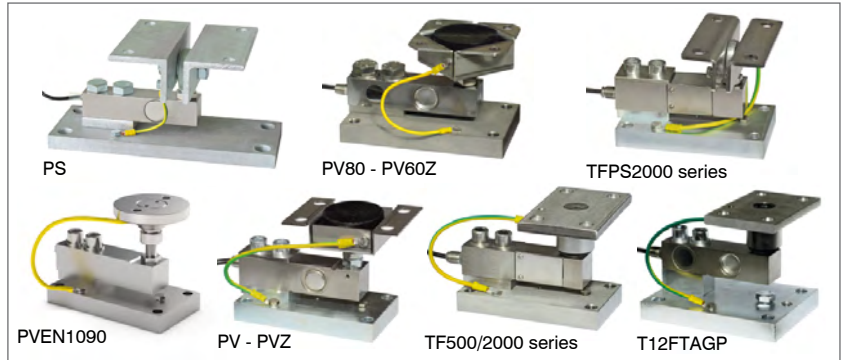


IP67



IP68

### MOUNTING KITS



- AISI 4340 NICKEL PLATED STEEL
- COMBINED ERROR  $\leq \pm 0.02\%$
- IP67 - IP68 PROTECTION RATING

CAPACITY	kg	ACCURACY CLASS C3		NET WEIGHT (kg)
75		-	-	1
150		-	-	1
300		-	-	1
500		-	-	1
1000		•	•	1.1
2000		•	•	1.1
3000		•	•	1.1
5000		•	•	1.1

### CERTIFICATIONS



OIML R60 C3



Complies with the Eurasian Customs Union standards



Equivalent of the CE marking for the United Kingdom



Complies with United Kingdom regulations for legal for trade use

#### CERTIFICATIONS ON REQUEST



Linearity test



ATEX II 1GD (zone 0-1-2-20-21-22) (CE - UKCA)

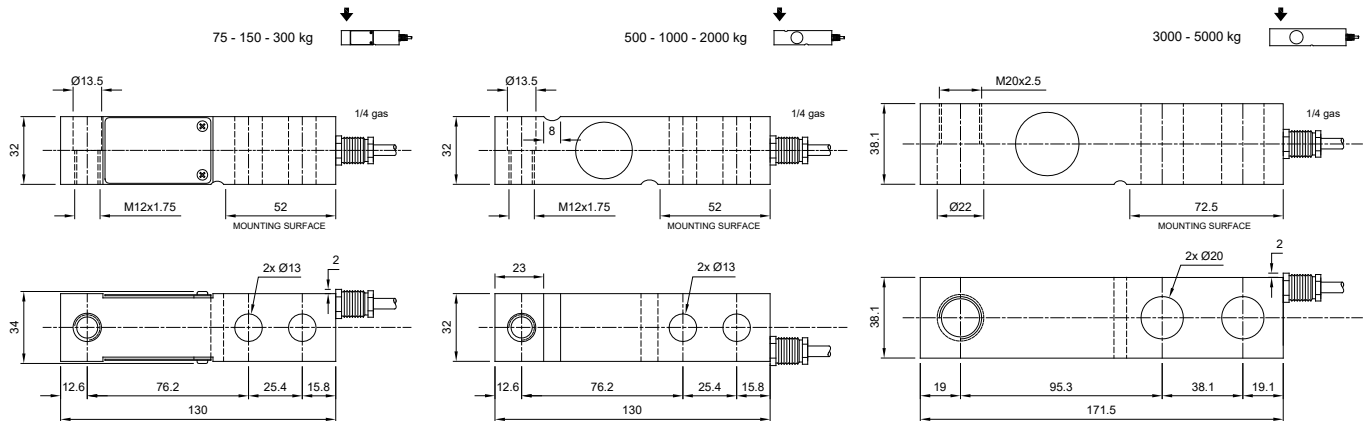


IECEx (zone 0-1-2-20-21-22)



Complies with the Eurasian Customs Union standards for use in potentially explosive atmospheres

### DIMENSIONS (mm)



For the load cell fixing screws, provide the tightening torque indicated in the table

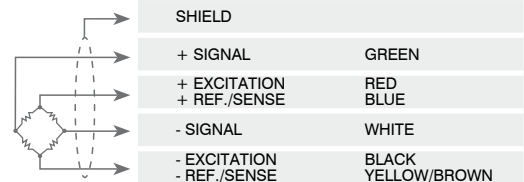
Screw	M12		M20	
	6.8	8.8	6.8	8.8
Tightening torque	50 Nm	79 Nm	290 Nm	400 Nm

### TECHNICAL FEATURES

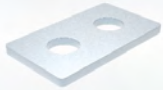
Material	AISI 4340 nickel plated steel		
OIML R60 Accuracy class • Verification intervals	-	C3 • 3000	
Nominal load (E max)	75 - 150 - 300 - 500 kg	1000 - 2000 - 3000 - 5000 kg	
Minimum verification interval (V min)	-	E max / 12000	
Combined error	$\leq \pm 0.02\%$		
Protection rating	IP67 (75 - 300 kg), IP68 (500 - 5000 kg)		
Rated output	2 mV/V $\pm 0.1\%$	Input resistance	400 $\Omega \pm 10$
Temperature effect on zero	0.002% $^{\circ}\text{C}$	Output resistance	352 $\Omega \pm 2$
Temperature effect on span	0.0012% $^{\circ}\text{C}$	Zero balance	$\pm 2\%$
Compensated temperature range	-10 $^{\circ}\text{C}$ / +40 $^{\circ}\text{C}$	Insulation resistance	$\geq 5000 \text{ M}\Omega$
Operating temperature range	-20 $^{\circ}\text{C}$ / +70 $^{\circ}\text{C}$	Safe overload (% of full scale)	150%
Creep at nominal load in 30 minutes	0.03%	Ultimate overload (% of full scale)	250%
Max supply voltage without damage	15 V	Deflection at nominal load	0.6 mm

### ELECTRICAL CONNECTIONS

Cable length	6 m
Cable diameter	5 mm
Cores	6 x 0.24 mm <sup>2</sup>



### COMPLEMENTARY ACCESSORIES

DESCRIPTION	CODE
 <p>Special steel block for capacities up to 2000 kg.</p>	PIASTRINO

The Company reserves the right to make changes to the technical data, drawings and images without notice.