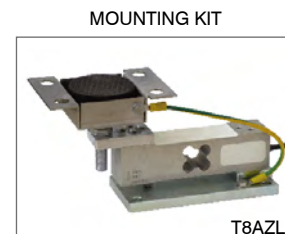
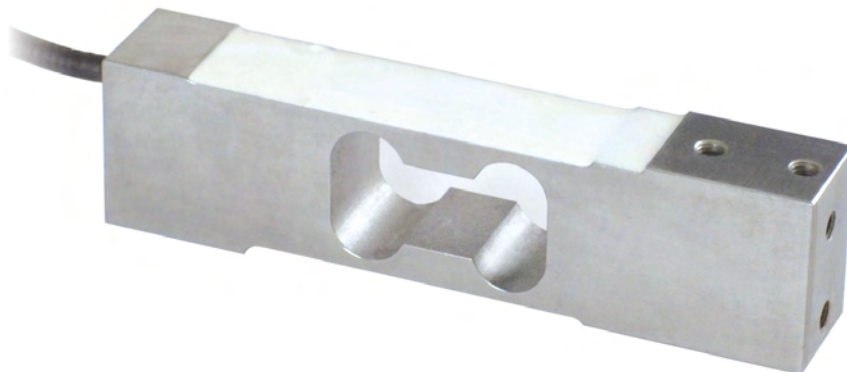




Manufactured according to OIML R60 standards

Capacity from 10 kg to 200 kg



Can be used for systems with at least 3 supports

- AISI 420 STAINLESS STEEL
- COMBINED ERROR $\leq \pm 0.03\%$
- IP67 PROTECTION RATING

CAPACITY	kg	PLATFORM (mm)	NET WEIGHT (kg)
	10	400 x 400	1
	30	400 x 400	1
	50	400 x 400	1
	100	400 x 400	1
	200	400 x 400	1

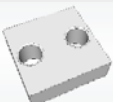
CERTIFICATIONS

- EAC** Complies with the Eurasian Customs Union standards
- UK CA** Equivalent of the CE marking for the United Kingdom

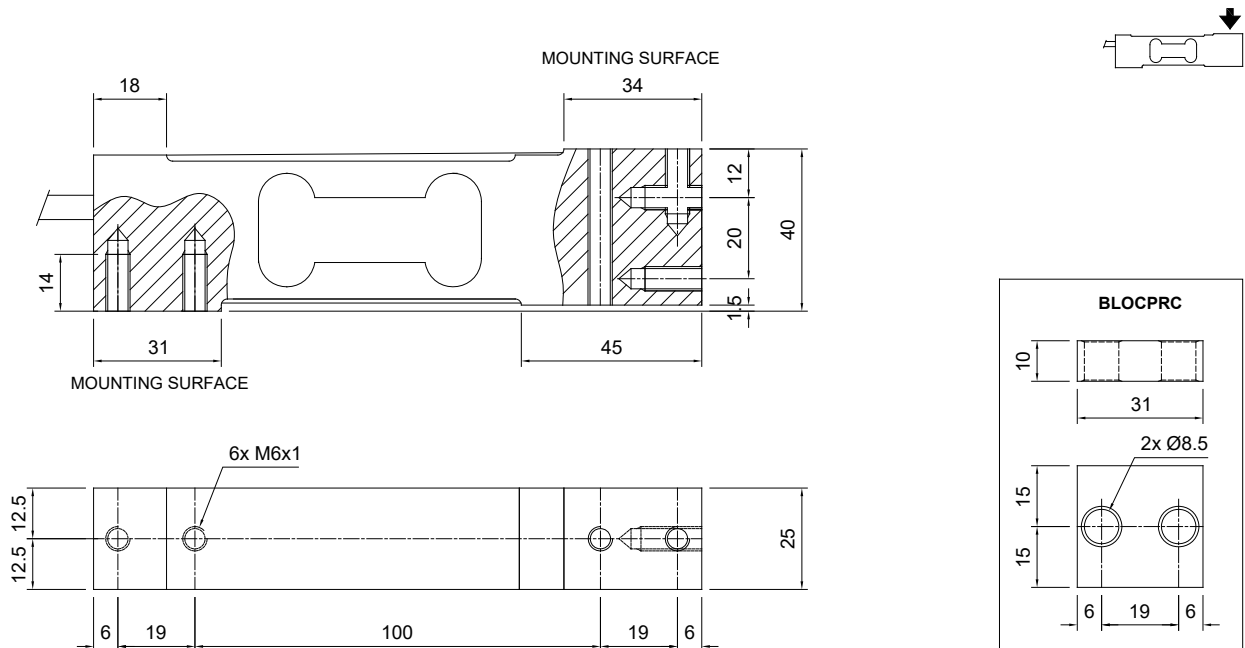
CERTIFICATIONS ON REQUEST

- ✓ Linearity test
- Ex** ATEX II 1GD (zone 0-1-2-20-21-22) (CE - UK CA)
- IECEx** IECEx (zone 0-1-2-20-21-22)
- EAC Ex** Complies with the Eurasian Customs Union standards for use in potentially explosive atmospheres

COMPLEMENTARY ACCESSORIES

	DESCRIPTION	CODE
	Stainless steel drawn block.	BLOCPRC

DIMENSIONS (mm)



For the load cell fixing screws, provide the tightening torque indicated in the table

Screw	M6	
Screw class	6.8	8.8
Tightening torque	7.5 Nm	10 Nm

TECHNICAL FEATURES

Material	AISI 420 stainless steel		
Nominal load (E max)	10 - 30 - 50 - 100 - 200 kg		
Combined error	≤ ±0.03%		
Protection rating	IP67		
Rated output	2 mV/V ±10%	Input resistance	385 Ω ±30
Temperature effect on zero	0.0025% °C	Output resistance	350 Ω ±3
Temperature effect on span	0.0025% °C	Zero balance	±1%
Compensated temperature range	-10 °C / +40 °C	Insulation resistance	>2000 MΩ
Operating temperature range	-20 °C / +60 °C	Safe overload (% of full scale)	150%
Creep at nominal load in 30 minutes	0.03%	Ultimate overload (% of full scale)	300%
Max supply voltage without damage	18 V	Deflection at nominal load	0.5 mm

ELECTRICAL CONNECTIONS

Cable length	6 m
Cable diameter	5 mm
Cores	6 x 0.20 mm ²

