

- Type:** Tension & Compression (S-type)
- Material:** Stainless Steel
- Protection:** IP 67
- Features:** Low Profile
- Application:** Hybrid Scales
Hopper Weighing
Materials Testing
Crane Scales
Hostile Environment
Lever Conversation

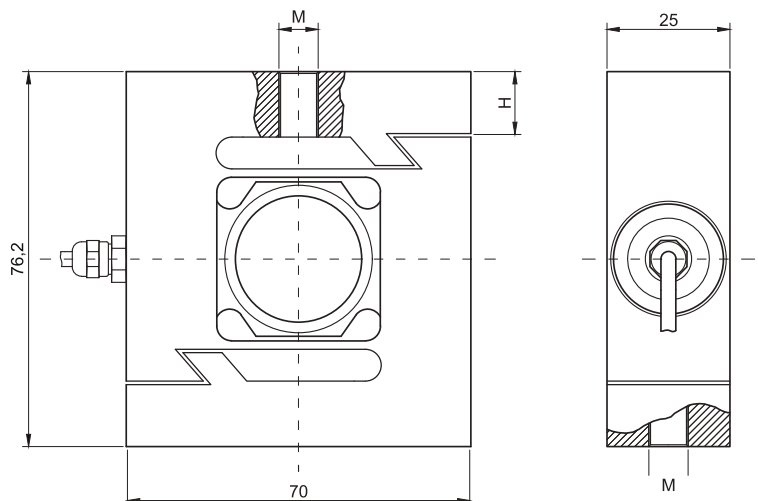
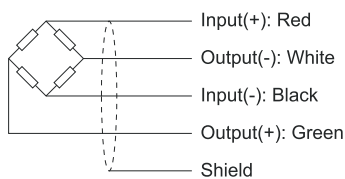


Specifications:

Capacity		50kg / 100kg / 150kg / 200kg / 250kg
Accuracy Class		C3
Max. Number of Verification Intervals	n_{max}	3000
Minimum Load Cell Verification Level	v_{min}	$E_{max}/7500$
Temperature Effect on Zero	%FS/10°C	$\leq \pm 0.0152$
Temperature Effect in Sensitivity	%FS/10°C	$\leq \pm 0.0125$
Combined Error	%FS	$\leq \pm 0.0230$
Creep	%FS	$\leq \pm 0.0165$
Output Sensitivity	mv/v	2.0 ± 0.01
Input Resistance	Ω	350 ± 3.5
Output Resistance	Ω	350 ± 3.5
Insulation Resistance	M Ω	≥ 5000
Zero Balance	%FS	≤ 1.5
Temperature, Compensated	°C	-10 ~ +40
Temperature, Operating	°C	-30 ~ +70
Excitation, Recommended	v	5 ~ 15
Safe Overload	%FS	150
Ultimate Overload	%FS	250
Standard Cable length	m	3.0

Dimensions:

CAP.(kg)	H	M
50 , 100	13	M8x1.25
150 - 250	14	M12x1.75



All dimensions: mm.