

**Type:** Tension & Compression (S-type)

**Material:** Stainless Steel

**Protection:** IP 68

**Features:** Low Profile

**Application:** Hybrid Scales  
Hopper Weighing  
Materials Testing  
Crane Scales  
Hostile Environment  
Lever Conversation

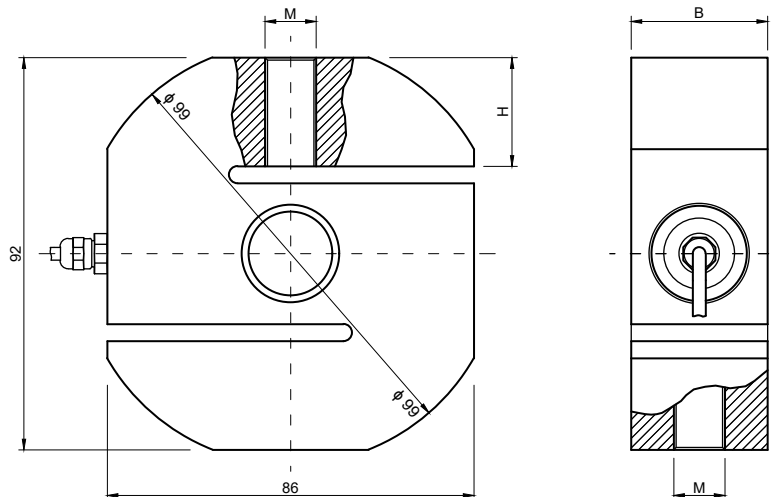
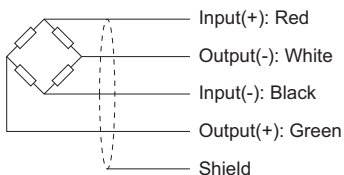


**Specifications:**

<b>Capacity</b>	t	0.5 / 1 / 2 / 3 / 4 / 5 / 6 / 7.5
<b>Accuracy Class</b>		<b>C3</b>
<b>Max. Number of Verification Intervals</b>	$n_{max}$	3000
<b>Minimum Load cell Verification Interval</b>	$V_{min}$	$E_{max}/10000$
<b>Temperature Effect on Zero</b>	%FS/10°C	$\leq \pm 0.0152$
<b>Temperature Effect on Sensitivity</b>	%FS/10°C	$\leq \pm 0.0125$
<b>Combined Error</b>	%FS	$\leq \pm 0.0200$
<b>Creep</b>	%FS	$\leq \pm 0.0165$
<b>Output Sensitivity</b>	mv/v	$2.0 \pm 0.01$
<b>Input Resistance</b>	$\Omega$	$350 \pm 3.5$
<b>Output Resistance</b>	$\Omega$	$350 \pm 3.5$
<b>Insulation Resistance</b>	M $\Omega$	$\geq 5000$
<b>Zero Balance</b>	%FS	$\leq \pm 1.5$
<b>Temperature, Compensated</b>	°C	-10 ~ +40
<b>Temperature, Operating</b>	°C	-30 ~ +70
<b>Excitation, Recommended</b>	v	5 ~ 15(DC)
<b>Safe Overload</b>	%FS	150
<b>Ultimate Overload</b>	%FS	250
<b>Standard Cable Length</b>	m	3(0.5t) , 6(1-7.5t)

**Dimensions:**

CAP.(t)	B	H	M
0.5 , 1	32	25	M12x1.75
2 , 3	32	25	M20x1.5
4	36	25	M20x1.5
5 - 7.5	50	24	M24x2



All dimensions: mm.