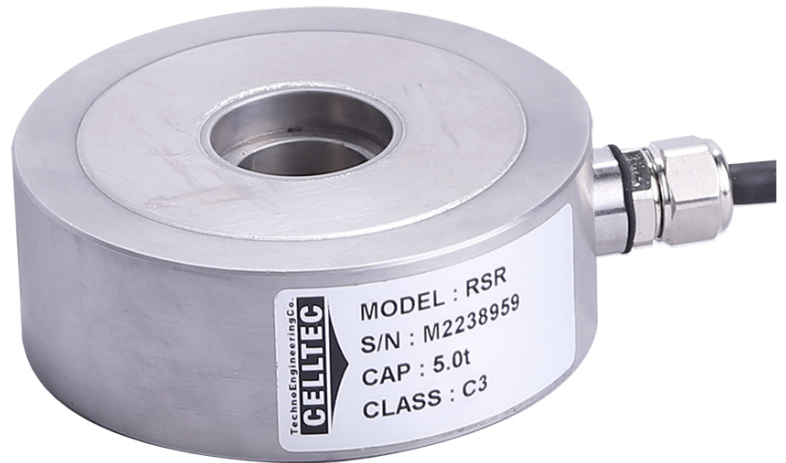


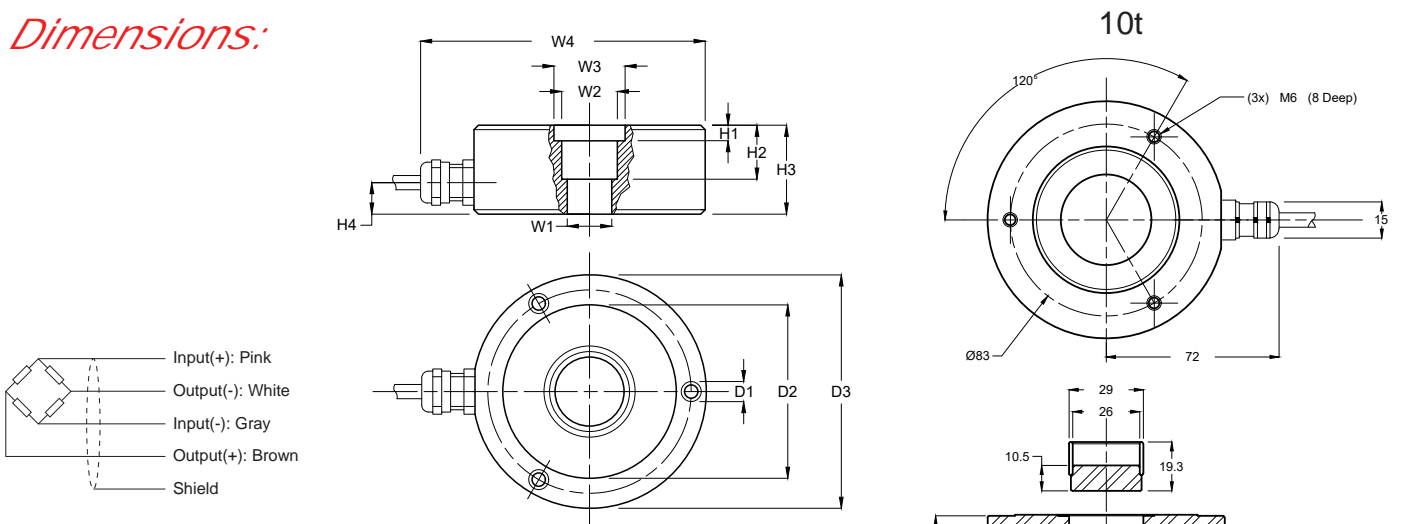
- Type:** Compression
- Material:** Stainless Steel
- Protection:** Hermetically Sealed IP 68
- Features:** Anti-Corrosion
Low Profile
- Application:** Truck & Silo Scales
Hoppers
Industrial Weighing Systems



Specifications:

Capacity	t	0.25 / 0.5 / 1 / 2 / 3.5 / 5 / 10	
Accuracy Class		C3	C5
Max. Number of Verification Intervals	n _{max}	3000	5000
Minimum Load cell Verification Interval	V _{min}	E _{max} /10000	E _{max} /20000
Temperature Effect on Zero	%FS/10°C	≤ ± 0.0145	≤ ± 0.0090
Temperature Effect on Sensitivity	%FS/10°C	≤ ± 0.0120	≤ ± 0.0080
Combined Error	%FS	≤ ± 0.0230	≤ ± 0.0150
Creep	%FS	≤ ± 0.0245	≤ ± 0.0190
Output Sensitivity	mv/v	2.0 ± 0.1 (for 0.25t 1.75 ± 0.1)	
Input Resistance	Ω	1100 ± 100	
Output Resistance	Ω	1025 ± 25	
Insulation Resistance	MΩ	≥ 5000	
Zero Balance	%FS	1.0	
Temperature, Compensated	°C	-10 ~ +40	
Temperature, Operating	°C	-30 ~ +70	
Excitation, Recommended	v	5 ~ 15(DC)	
Safe Overload	%FS	150	
Ultimate Overload	%FS	250	
Standard Cable Length	m	1 (0.25t ~ 1t) , 6 (2t ~ 5t) , 15 (10t)	

Dimensions:



CAP.(t)	H1	H2	H3	H4	W1	W2	W3	D1	D2	D3	W4
0.25-1	1.0	15	25	12.5	M10	19	25	M6 (3x120°) 8 Deep	70	80	101.5
2-5	6.0	20	30	12.5	15	19	25	M6 (3x120°) 8 Deep	70	80	101.5

All dimensions: mm.