

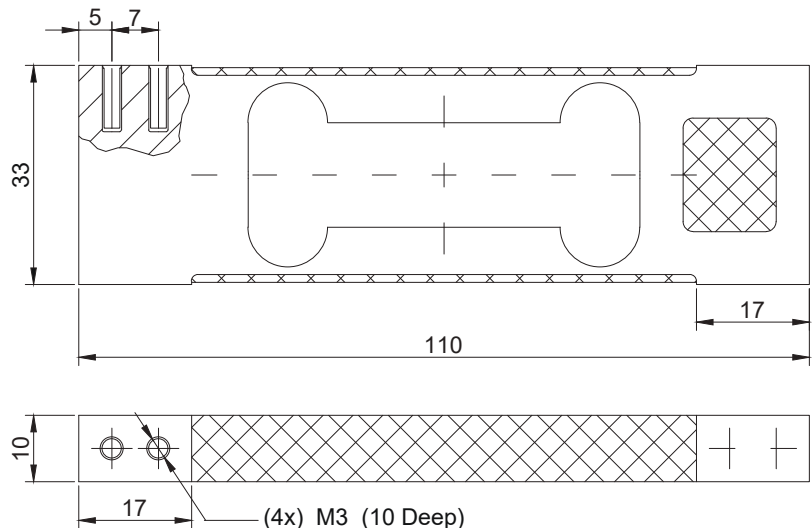
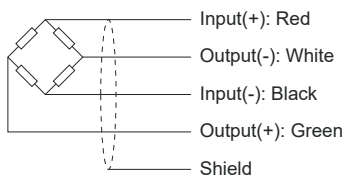
- Type:** Single Point
- Material:** Aluminum Alloy
- Surface:** Anodized Treatment
- Protection:** IP 65
- Features:** Suggested Platform
Size: 200 x 200 mm
- Application:** Bench & Counting Scales
Bagging Machine
Check Weigher



Specifications:

Capacity		0.3kg / 0.6kg / 1kg / 1.2kg / 1.5kg / 3kg	
Accuracy Class		C3	C6
Max. Number of Verification Intervals	n_{max}	3000	6000
Minimum Load Cell Verification Level	v_{min}	$E_{max}/10000$	$E_{max}/25000$
Temperature Effect on Zero	%FS/10°C	$\leq \pm 0.0300$	$\leq \pm 0.0200$
Temperature Effect in Sensitivity	%FS/10°C	$\leq \pm 0.0300$	$\leq \pm 0.0200$
Combined Error	%FS	$\leq \pm 0.0100$	$\leq \pm 0.0050$
Creep	%FS	$\leq \pm 0.0150$	$\leq \pm 0.0120$
Output Sensitivity	mv/v	0.9 ± 0.1	
Input Resistance	Ω	405 ± 7	
Output Resistance	Ω	350 ± 3.5	
Insulation Resistance	M Ω	≥ 5000	
Zero Balance	%FS	≤ 2.0	
Temperature, Compensated	°C	$-10 \sim +40$	
Temperature, Operating	°C	$-20 \sim +50$	
Excitation, Recommended	v	$5 \sim 15$	
Safe Overload	%FS	120	
Ultimate Overload	%FS	150	
Standard Cable length	m	0.4	

Dimensions:



All dimensions: mm.