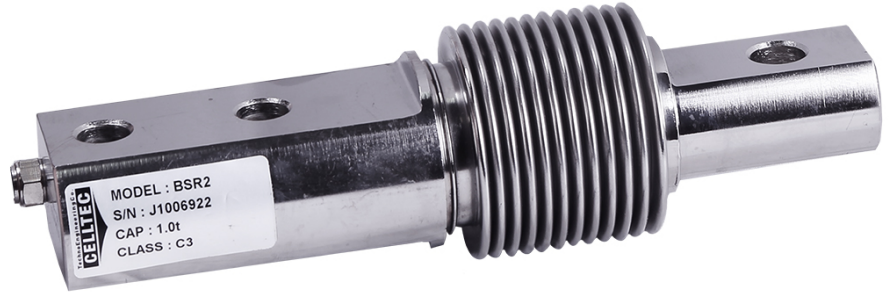


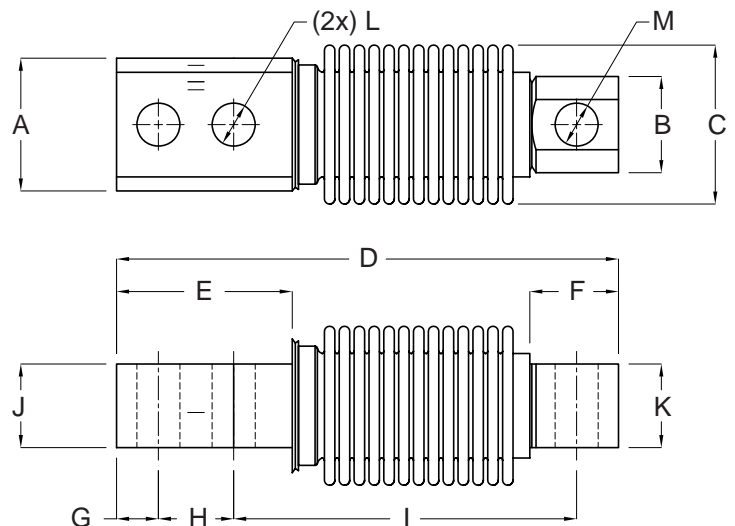
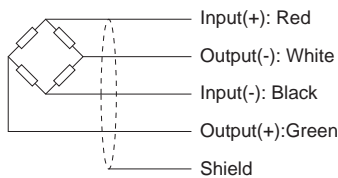
- Type:** Single Ended Beam
- Material:** Stainless Steel
- Protection:** IP 68
- Features:** Low Profile
Nice Exterior
- Application:** Belt Weighing
Hostile Environments
Loss in Weight Feeders
Marine Scales
Food Industries



Specifications:

Capacity	kg	20 / 50 / 100 / 200 / 350 / 500 / 1000
Accuracy Class		C3
Max. Number of Verification Intervals	n_{max}	3000
Minimum Load cell Verification Interval	V_{min}	$E_{max}/10000$
Temperature Effect on Zero	%FS/10°C	$\leq \pm 0.0180$
Temperature Effect on Sensitivity	%FS/10°C	$\leq \pm 0.0180$
Combined Error	%FS	$\leq \pm 0.0200$
Creep	%FS	$\leq \pm 0.0190$
Output Sensitivity	mv/v	2.0 ± 0.1
Input Resistance	Ω	385 ± 10
Output Resistance	Ω	350 ± 3.5
Insulation Resistance	M Ω	≥ 5000
Zero Balance	%FS	1.0
Temperature, Compensated	°C	-10 ~ +50
Temperature, Operating	°C	-20 ~ +60
Excitation, Recommended	v	8 ~ 12(DC)
Safe Overload	%FS	120
Ultimate Overload	%FS	200
Standard Cable Length	m	5

Dimensions:



CAP.	A	B	C	D	E	F	G	H	I	J	K	L	M
50,100,200,300,500	35	26	45	123	45	19	13	18	82	22	20	8.5	8.5
1000	50	36	60	210	93	53	15	40	133	34	25	13	14

All dimensions: mm.