



## Short Description



- Stainless steel IP68 shear beam load cell
- Hermetically sealed
- Robust and wide mounting surface
- Suitable for harsh environment
- Current calibrated (SC-option)



Test certificate no. D09-07.22  
C of C no R60/2000-DE1-10.07

## Available Models

Capacity	Accuracy	Full Article Description
500kg	C3/C4	BM8G-C3/C4-500kg-5B-SC
1t	C3/C4	BM8G-C3/C4-1t-5B-SC
2t	C3/C4	BM8G-C3/C4-2t-5B-SC
5t	C3	BM8G-C3-5t-5B-SC-W2
7.5t	C3	BM8G-C3-7.5t-5B-SC-W2
10t	C3	BM8G-C3-10t-10B-SC

## Technical Specifications BM8G

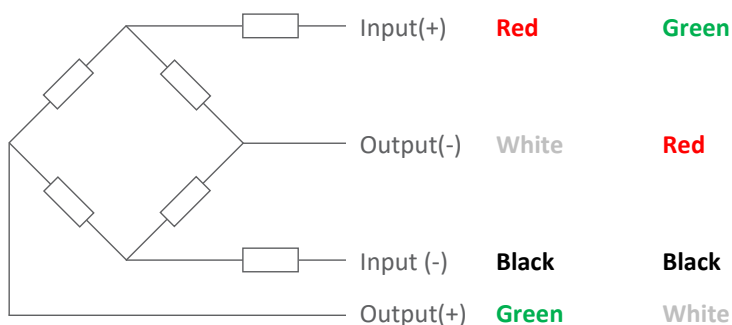
Accuracy Class		OIML R60 C3		OIML R60 C4	
Output Sensitivity (= FS)	mV/V	2.0 ± 0.004			
Maximum Capacity ( E <sub>max</sub> )	t	0.5, 1, 2, 5, 7.5, 10		0.5, 1, 2	
Max. Number of Load Cell Intervals	n <sub>LC</sub>	3000		4000	
Ratio of min. LC Verification Interval	$Y = E_{max} / V_{min}$	10000		15000	
Combined Error	%FS	≤± 0.023		≤± 0.0175	
Creep Error (30 minutes)	%FS	≤± 0.016		≤± 0.012	
Temperature Effect on Zero (ZTC)	%FS/10°C	≤± 0.014		≤± 0.010	
Temperature Effect on Sensitivity (STC)	%FS/10°C	≤± 0.018		≤± 0.009	
Zero Balance	%FS	≤± 2.0			
Safe Overload	%FS	150			
Ultimate Overload	%FS	300			
Maximum Deflection	mm	0.5t-1t: ~0.2	2t-5t: ~0.3-0.4	7.5t-10t: ~0.6	
Excitation, Recommended Voltage	V	5 ~ 15			
Excitation, Maximum Voltage	V	18			
Input Resistance	Ω	350 ± 3.5			
Output Resistance	Ω	350 ± 3.5			
Insulation Resistance (50V)	MΩ	≥5000			
Compensated Temperature	°C	-10 ~ + 40			
Operating Temperature	°C	-35 ~ + 65			
Storage Temperature	°C	-40 ~ + 70			
Load Cell Weight	kg	0.5t-2t: ~2.3	5t-7.5t: ~5	10t: 5.9	
Element Material		Stainless Steel			
Ingress Protection (acc. to EN 60529)		IP68			
Recommended Torque on Fixation Bolts	Nm	M12: 100	M20: 375	M24: 650	

## Wiring

### Features:

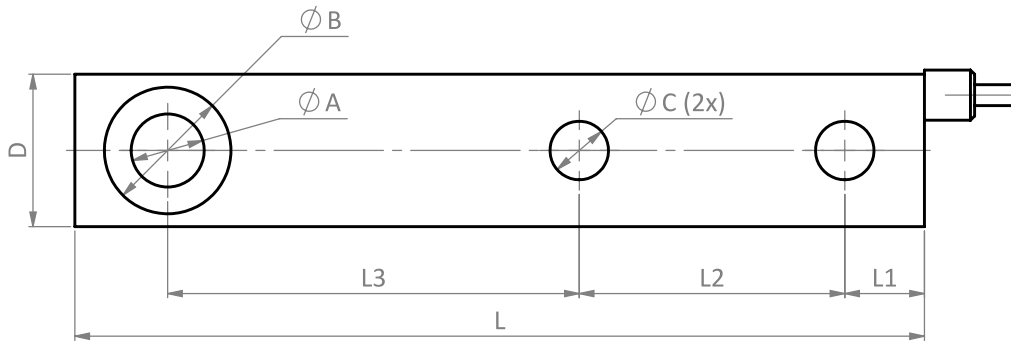
Cable type: Shielded, 4 conductor cable , conductor AWG 22  
 Cable diameter: Ø 5.0mm  
 Cable length: 5m  
 Cable jacket: Silicone rubber (black)  
 Shield not connected to element

### 4-Wire Connection Diagram

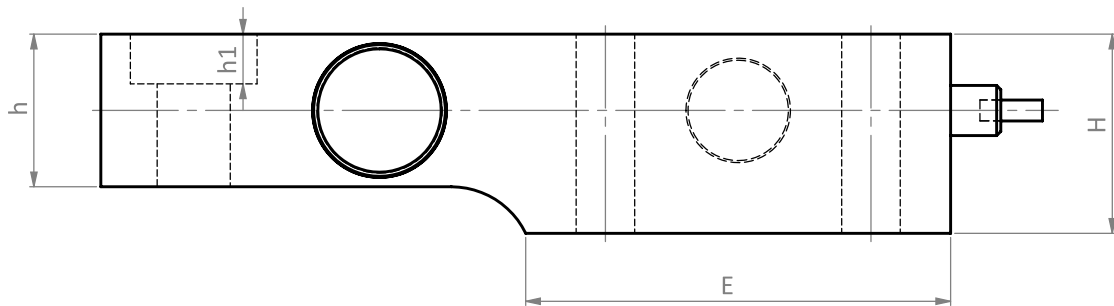


## Dimensions in mm

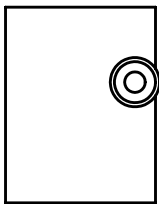
### Top View



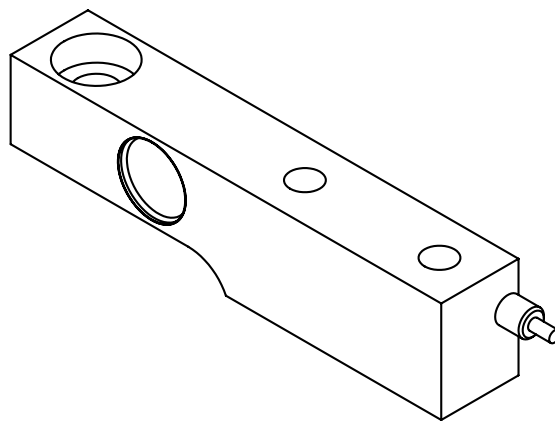
### Side View



### Back View

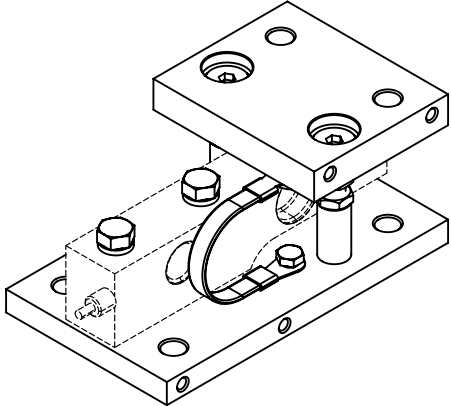
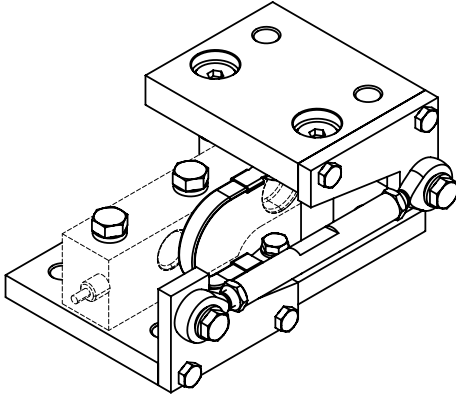


### Isometric View



Dimension Capacity	A	B	C	D	E	L	L1	L2	L3	H	h	h1
0.5t, 1t, 2t	17.48	30.3	13.9	36.48	101.6	203.2	19.05	63.5	98.43	47.63	36.5	11.9
5t, 7.5t-W2	25.5	41.4	22.23	47.36	111	234.95	20.62	66.7	123.8	69.85	47.64	15.75
10t	25.5	41.4	25	55	111	234.95	20.62	66.7	123.8	69.85	58.6	15.75

## Available Accessories

<p><b>BM-8-409-0.5-10t Mount</b></p> <ul style="list-style-type: none"><li>• Stainless steel mount</li><li>• Easy load cell access</li><li>• Self aligning construction</li><li>• Lift-off protection</li><li>• Controlled horizontal movement</li></ul>	
<p><b>BM-8-410-0.5-10t Mount</b></p> <ul style="list-style-type: none"><li>• BM-8-409 + stay rod</li><li>• Stainless steel mount</li><li>• Easy load cell access</li><li>• Self aligning construction</li><li>• Lift-off protection</li><li>• Stabilized by stay rod</li></ul>	
<p><b>Elastomer BM8G 0.5-10t</b></p> <ul style="list-style-type: none"><li>• Easy installation</li><li>• Suitable for shock load</li></ul>	