

Specifications

Type			PW15B...								
Accuracy class ¹⁾			C3 Multi Range (MR)								
Number of scale intervals	n_{LC}		3000								
Nominal (rated) load	E_{max}	kg	7.5	15	20	30	50	75	100	150	200
Minimum load cell verification interval	v_{min}	g	0.5	1	2	2	5	5	10	10	20
Ratio of minimum verification interval	Y		15000		10000	15000	10000	15000	10000	15000	10000
Temperature coefficient of zero signal per 10K	TK_0	% of C_n	± 0.0093	± 0.0093	± 0.0140	± 0.0093	± 0.0140	± 0.0093	± 0.0140	± 0.0093	± 0.0140
Maximum platform size		mm	500 x 400								
Nominal (rated) sensitivity	C_n	mV/V	2.0 \pm 0.2 (Option 6: 2.0 mV/V \pm 0.1%)								
Zero signal			0 \pm 0.1								
Temperature coefficient of the sensitivity per 10K ²⁾ in the temperature range +20 ... +40 °C -10 ... +20 °C	TK_C	% of C_n	± 0.0175								
			± 0.0117								
Linearity error ²⁾	d_{lin}		± 0.0166								
Relative reversibility error ²⁾	d_{hy}		± 0.0166								
Minimum dead load output return	MDLOR		± 0.0166								
Off-center load error ³⁾		ppm	≤ 233								
Input resistance	R_{LC}	Ω	300 ... 500								
Output resistance	R_0		300 ... 500 (Option 6: 359 \pm 0.2)								
Reference excitation voltage	U_{ref}	V	5								
Nominal (rated) range of the excitation voltage	B_U		1 ... 12								
Maximum excitation voltage			15								
Insulation resistance at 100 V _{DC}	R_{is}		> 1								
Nominal (rated) temperature range	B_T	°C	-10 ... +40								
Operating temperature range	B_{tu}		-10 ... +50								
Storage temperature range	B_{tl}		-25 ... +70								
Limit load at maximum 160mm eccentricity	E_L	% of E_{max}	150								
Limit lateral loading, static	E_{lq}		300								
Breaking load	E_d		300								
Nominal (rated) displacement ⁴⁾ , approx.	s_{nom}	mm	0.21	0.2	0.2	0.2	0.18	0.17	0.17	0.17	0.17
Weight, approx.	m	kg	1								
Degree of protection ⁵⁾			IP67								
Cable length (standard)		m	3								
Material			Steel 1.4545 ⁶⁾								
Measuring body			Silicone rubber								
Cover			PVC								
Cable sheath											

¹⁾ As per OIML R60, with $P_{LC} = 0.7$.

²⁾ The values for non-linearity (d_{lin}), relative reversibility error (d_{hy}) and temperature coefficient of sensitivity (TK_C) are recommended values. The sum of these values is within the cumulative error limits laid down by OIML R60.

³⁾ As per OIML R76.

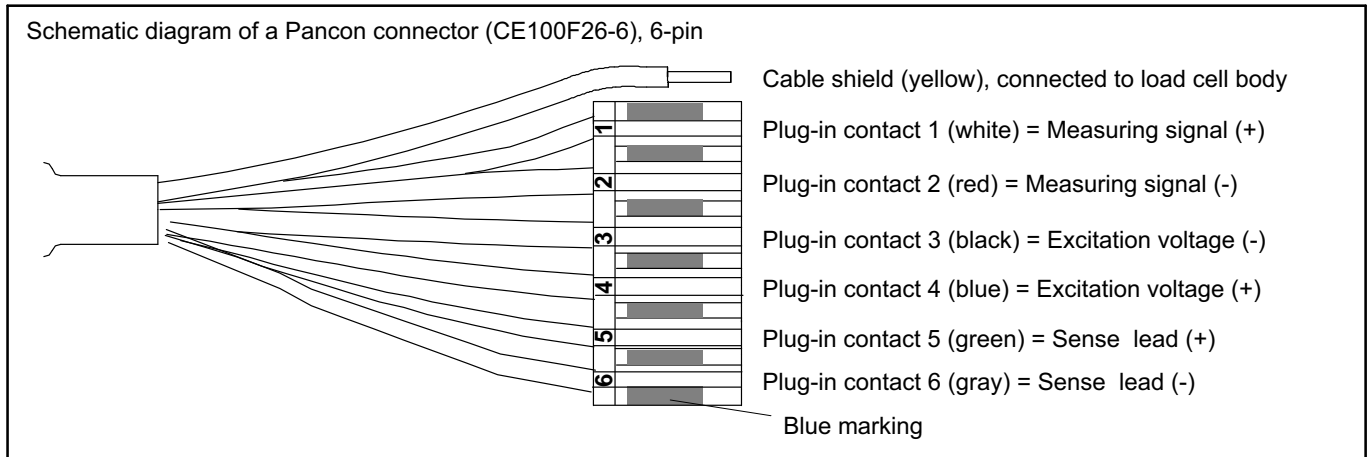
⁴⁾ Loading with E_{max} and center of gravity in center of load cell.

⁵⁾ As per EN 60529 (IEC 529).

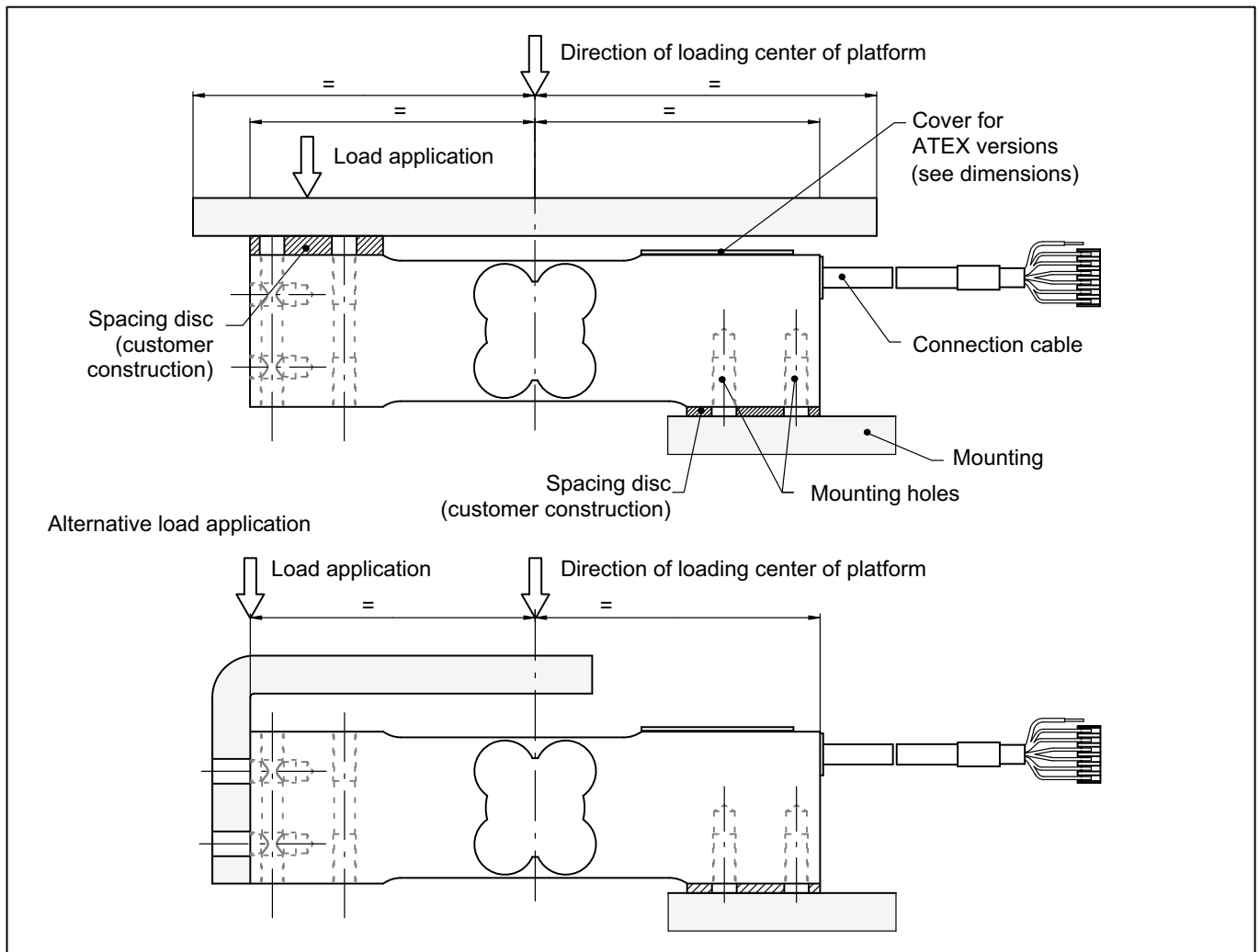
⁶⁾ As per EN 10088-1.

Cable assignment

6-wire cable connection (available cable lengths: 1.5 m; 3 m; 6 m, 12 m)



Mounting instructions



Maximum capacity	Socket head cap screw	Maximum tightening torque
7.5 kg ... 150 kg	M6 10.9	14 N·m
200 kg	M8 10.9	33 N·m

Product numbers

Type	PW15B... (stainless steel)	Type	PW15B... (stainless steel)
Accuracy class	C3-MR (OIML) (Multi Range)	Accuracy class	C3-MR (OIML) (Multi Range)
Comments	Cable length 3 m (six-wire config.)	Comments	Cable length 3 m (six-wire config.)
Nominal (rated) load	Order number	Nominal (rated) load	Order number
7.5 kg	1-PW15BC3/7.5KG-1	75 kg	1-PW15BC3/75KG-1
15 kg	1-PW15BC3/15KG-1	100 kg	1-PW15BC3/100KG-1
20 kg	1-PW15BC3/20KG-1	150 kg	1-PW15BC3/150KG-1
30 kg	1-PW15BC3/30KG-1	200 kg	1-PW15BC3/200KG-1
50 kg	1-PW15BC3/50KG-1		

K-PW15B... (stainless steel), optional versions

Order no.
K-PW15B

Code	Option 1: Mechanical design
N	Standard

Code	Option 2: Accuracy class
MR	C3-MR (OIML) (Multi Range)

Code	Option 3: Nominal (rated) load
7.5	7.5 kg
15	15 kg
20	20 kg
30	30 kg
50	50 kg
75	75 kg
100	100 kg
150	150 kg
200	200 kg

Code	Option 4: Explosion protection
N	No ATEX
A11/21	IECEX+ATEX Zone 1/21 + FM, intrinsically safe II2G Ex ia IIC T6/T4 Gb / II2G Ex ia IIIC T125°C Db
A12/22	IECEX+ATEX Zone 2/22, non-intrinsically safe II3G Ex nA IIC T6/T4 Gc / II3D Ex tc IIIC T125°C Dc

Code	Option 5: Cable length
1.5	1.5 m
3	3 m (Standard)
6	6 m
12	12 m

Code	Option 6: Other
N	none
A	2 mV/V 0.1% / 359 Ω ± 0.2 Ω (aligned output, suitable for parallel connection)

K-PW15B - **N** - **M R** - [] - [] - [] - [] - [] - []

Subject to modifications.
All product descriptions are for general information only. They are not to be understood as a guarantee of quality or durability.

Hottinger Baldwin Messtechnik GmbH
Im Tiefen See 45 · 64293 Darmstadt · Germany
Tel. +49 6151 803-0 · Fax +49 6151 803-9100
Email: info@hbm.com · www.hbm.com

measure and predict with confidence

