



Short Description



- Aluminium-Alloy IP65 single point load cell
- Colourless anodized
- Suitable for single and double load cell structured platform scales
- Maximum platform size: 400 x 400 mm



Test certificate no. D09-07.06 and TC7969 Revision 0
C of C no R60/2000-NL1-11.22



Certificate no. 11-104

Available Models

Capacity	Accuracy	Full Article Description
50kg	C3/C4	L6Q-C3/C4-50kg-3B6
100kg	C3/C4/C5	L6Q-C3/C4/C5-100kg-3B6
150kg	C3/C4/C5	L6Q-C3/C4/C5-150kg-3B6
200kg	C3/C4/C5	L6Q-C3/C4/C5-200kg-3B6
250kg	C3/C4/C5	L6Q-C3/C4/C5-250kg-3B6

Technical Specifications L6Q

Accuracy Class		OIML R60 C3	OIML R60 C4	OIML R60 C5
Output Sensitivity (= FS)	mV/V	2.0 ± 0.2		
Maximum Capacity (E _{max})	kg	50, 100, 150, 200, 250		100, 150, 200, 250
Max. Number of Load Cell Intervals	n _{LC}	3000	4000	5000
Ratio of min. LC Verification Interval	$Y = E_{max} / V_{min}$	10000	15000	20000
Combined Error	%FS	≤± 0.023	≤± 0.0175	≤± 0.0140
Creep Error (30 minutes)	%FS	≤± 0.0245	≤± 0.0184	≤± 0.0147
Temperature Effect on Zero (ZTC)	%FS/10°C	≤± 0.014	≤± 0.012	≤± 0.009
Temperature Effect on Sensitivity (STC)	%FS/10°C	≤± 0.0175	≤± 0.0131	≤± 0.0105
Zero Balance	%FS	≤± 2.0		
Safe Overload	%FS	120		
Ultimate Overload	%FS	150		
Maximum Deflection	mm	0.62		
Eccentric Loading Error	%Ld/cm	± 0.002		
Excitation, Recommended Voltage	V	5 ~ 12		
Excitation, Maximum Voltage	V	18		
Input Resistance	Ω	406 ± 6		
Output Resistance	Ω	350 ± 3		
Insulation Resistance (50V)	MΩ	≥5000		
Compensated Temperature	°C	-10 ~ + 40		
Operating Temperature	°C	-35 ~ + 65		
Storage Temperature	°C	-40 ~ + 70		
Load Cell Weight	kg	0.64		
Element Material		Aluminium		
Ingress Protection (acc. to EN 60529)		IP65		
Recommended Torque on Fixation Bolts	Nm	M6: 10		

Wiring

Features:

Cable type: Shielded, 6 conductor cable , conductor AWG 26

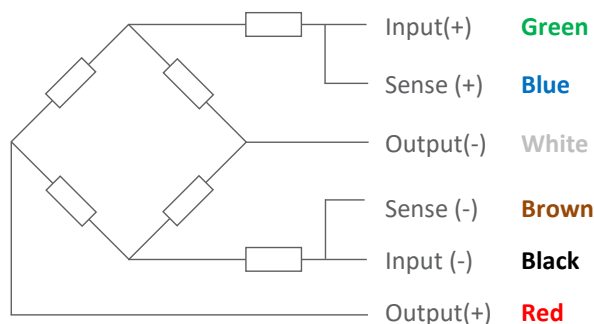
Cable diameter: Ø 5.0mm

Cable length: 3m

Cable jacket: PVC

Shield not connected to element

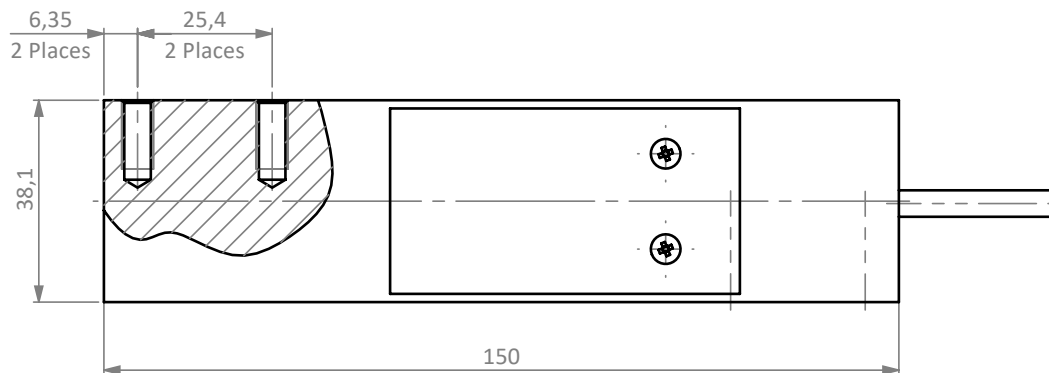
6-Wire Connection Diagram



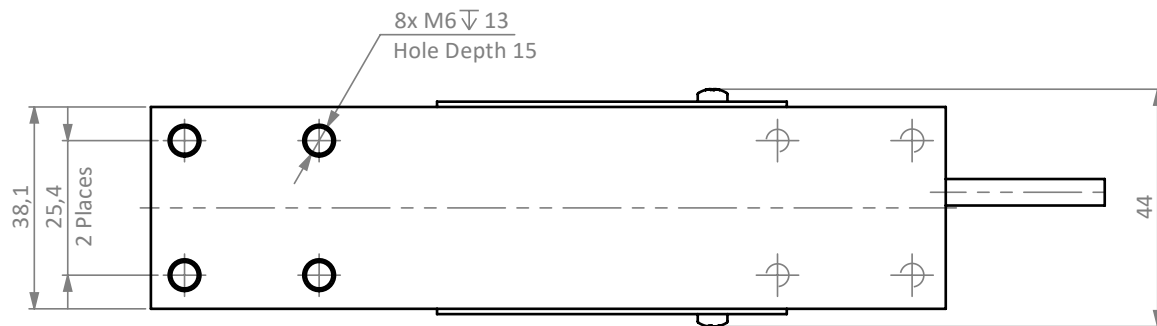
Specifications and dimensions are subject to change without notice and do not constitute any liability whatsoever.

Dimensions in mm

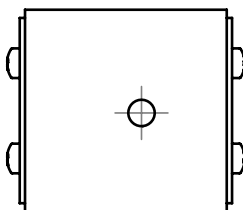
Front View



Top View



Side View



Isometric View

