



## Short Description



- Aluminium-alloy IP65 single point load cell
- Colourless anodized
- Suitable for belt, pricing and platform scales
- Maximum platform size:
  - for 50kg – 200kg: 600 x 600 mm
  - for 250kg – 500kg: 600 x 800 mm
  - for 750kg – 2000kg: 1200 x 1200 mm



Test certificate no. D09-06.10  
C of C no R60/2000-CN1-06.01

## Available Models

Capacity	Accuracy	Full Article Description
50kg	C3	L6F-C3-50kg-3B6
100kg	C3	L6F-C3-100kg-3B6
150kg	C3	L6F-C3-150kg-3B6
200kg	C3	L6F-C3-200kg-3B6
250kg	C3	L6F-C3-250kg-3B6
500kg	C3	L6F-C3-500kg-3B6
750kg	C3	L6F-C3-750kg-3B6(-W1)
1000kg	C3	L6F-C3-1000kg-3B6
2000kg	C3	L6F-C3-2000kg-3B6

Specifications and dimensions are subject to change without notice and do not constitute any liability whatsoever.

## Technical Specifications L6F

Accuracy Class		OIML R60 C3		
Output Sensitivity ( = FS )	mV/V	2.0 ± 0.2		
Maximum Capacity ( E <sub>max</sub> )	kg	50, 100, 150, 200, 250, 500, 750, 1000, 2000		
Max. Number of Load Cell Intervals	n <sub>LC</sub>	3000		
Ratio of min. LC Verification Interval	$Y = E_{max} / v_{min}$	7000		
Combined Error	%FS	≤± 0.02		
Creep Error (30 minutes)	%FS	≤± 0.0167		
Temperature Effect on Zero (ZTC)	%FS/10°C	≤± 0.02		
Temperature Effect on Sensitivity (STC)	%FS/10°C	≤± 0.0175		
Zero Balance	%FS	≤± 2.0		
Safe Overload	%FS	120		
Ultimate Overload	%FS	150		
Maximum Deflection	mm	50kg: ~0.21	250kg: ~0.34	2t: 1.4 ~ 1.5
Eccentric Loading Error	%Ld/cm	± 0.002		
Excitation, Recommended Voltage	V	5 ~ 12		
Excitation, Maximum Voltage	V	18		
Input Resistance	Ω	406 ± 6		
Output Resistance	Ω	350 ± 3		
Insulation Resistance (50V)	MΩ	≥5000		
Compensated Temperature	°C	-10 ~ + 40		
Operating Temperature	°C	-35 ~ + 65		
Storage Temperature	°C	-40 ~ + 70		
Load Cell Weight	kg	50kg-200kg: ~1.1	250kg-500kg: 1.8	750kg-2t: 3.7
Element Material		Aluminium		
Ingress Protection (acc. to EN 60529)		IP65		
Recommended Torque on Fixation Bolts	Nm	M12: 100	M16: 160	

## Wiring

### Features:

Cable type: Shielded, X conductor cable , conductor AWG 24

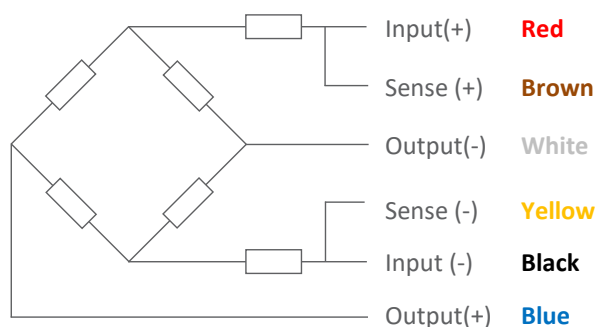
Cable diameter: Ø 6.2mm

Cable length: 3.0m

Cable jacket: PVC

Shield not connected to element

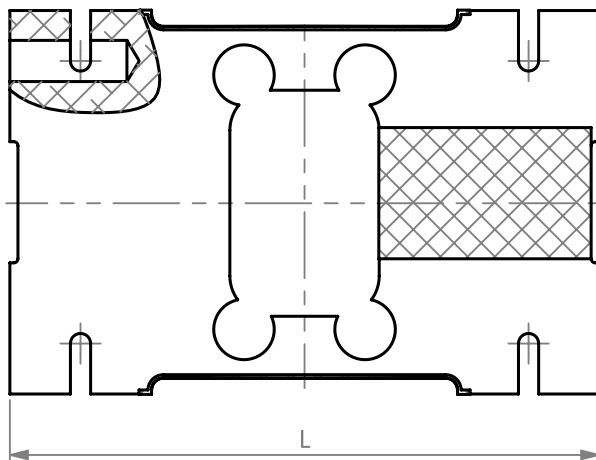
### 6-Wire Connection Diagram



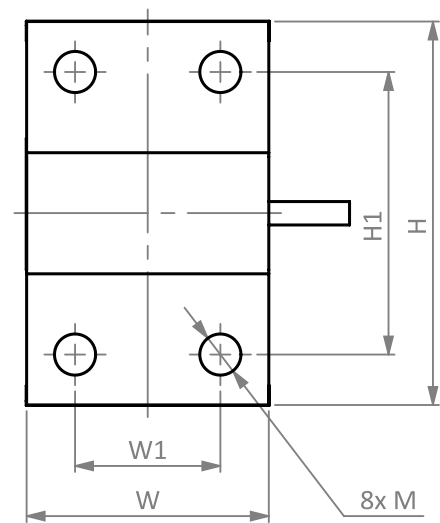
Specifications and dimensions are subject to change without notice and do not constitute any liability whatsoever.

## Dimensions in mm

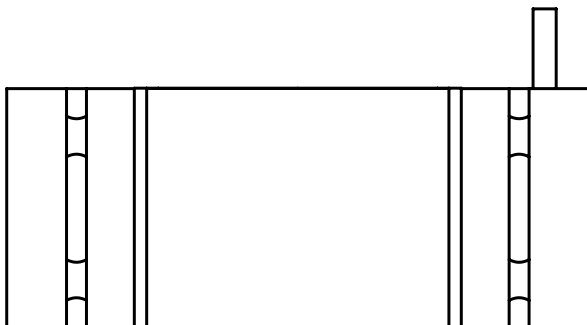
Front View



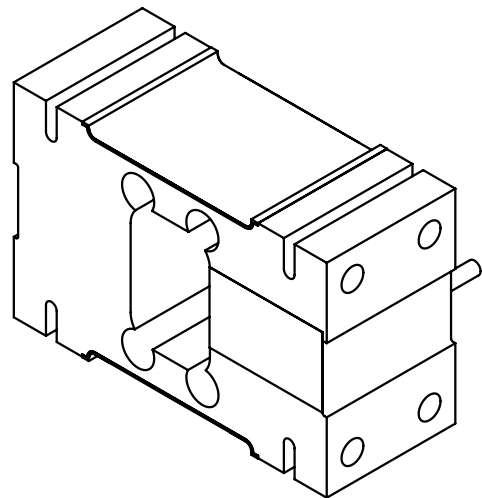
Side View



Top View



Isometric View



Dimension \ Capacity	H	H1	L	W	W1	M
50kg-200kg	75	50	156	44	24	M12
250kg-500kg, 750kg-W1	95	70	146	60	36	M12
750-2000kg	125	95	176	76	46	M16

Specifications and dimensions are subject to change without notice and do not constitute any liability whatsoever.