



## Short description



- Nickel plated alloy steel IP68 column load cell
- Hermetically sealed
- High accuracy
- Robust and smart design without semi conductors
- Set contains HM14H1 load cell with HY-14-146 mounting assembly



Test certificate no. TC8228 Revision 0  
C of C no R60/2000-NL1-12.46

## Available models

Capacity	Full article description	Article number
20t	HM14H1-C3-20t-20B-W1 + HY-14-146-W1	1140600
30t	HM14H1-C3-30t-20B-W1 + HY-14-146-W1	1140605
40t	HM14H1-C3-40t-20B-W1 + HY-14-146-W1	1140610
50t	HM14H1-C3-50t-20B-W1 + HY-14-146-W1	1140615

Specifications and dimensions are subject to change without notice and do not constitute any liability whatsoever.

## Technical specifications HM14H1 Load cell + Mounting kit

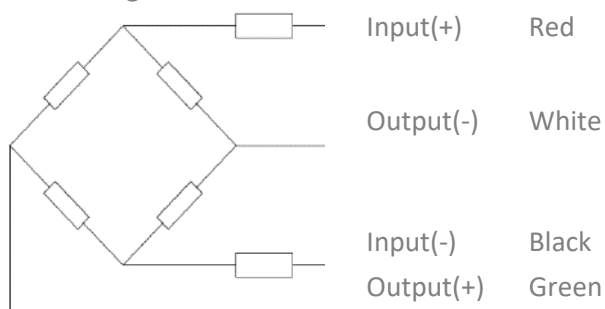
Accuracy class		C3
Output sensitivity ( = FS )	mV/V	2.0 ± 0.002
Maximum capacity ( Emax )	t	20, 30, 40, 50
Max. number of load cell intervals	nLC	3000
Ratio of min. LC verification	Y = Emax /	10000
Combined Error	%FS	≤± 0.02
Minimum dead load	Of Emax	0%
Safe overload	of Emax	150 %
Ultimate overload	of Emax	300 %
Zero balance	of FS	< ± 1.0 %
Excitation, recommended voltage	V	5 ~ 12
Excitation maximum	V	15
Input resistance	Ω	700 ± 7
Output resistance	Ω	703 ± 4
Insulation resistance	MΩ	≥5000 ( at 50VDC )
Compensated temperature	°C	-10 ~+40
Operating temperature	°C	-35 ~ +65
Storage temperature	°C	-40 ~ +70
Element material		Nickel plated alloy steel
Ingress Protection (acc. to EN		IP68

## Wiring

### Features

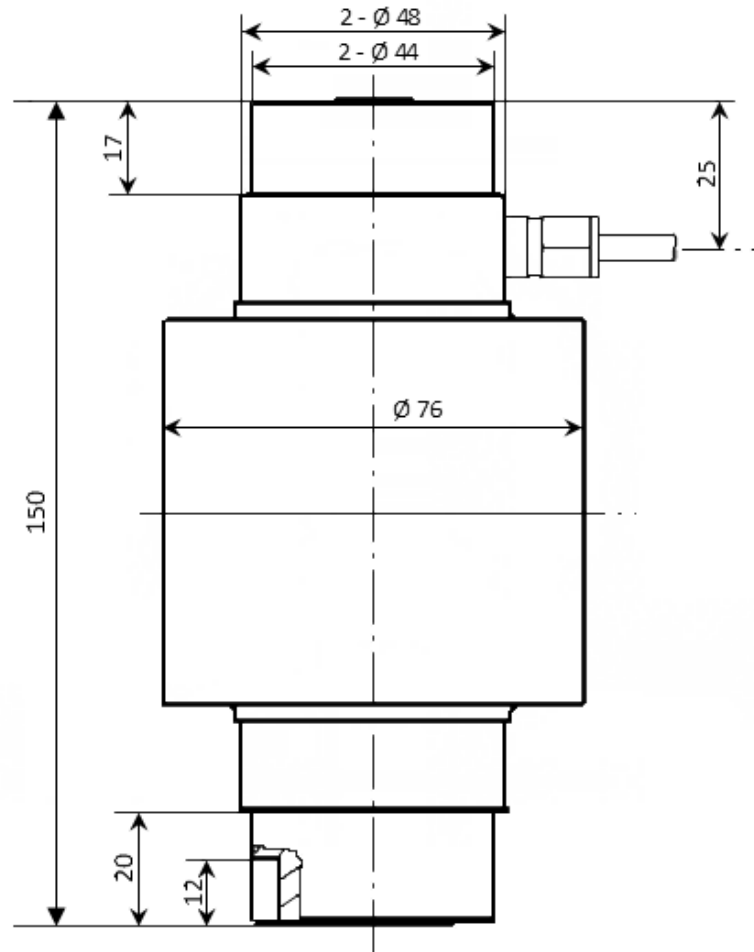
Shielded, 4 conductor cable  
 Cable diameter: Ø5.0mm  
 Standard cable length: 20m  
 Shield not connected to element

### 4-wire diagram



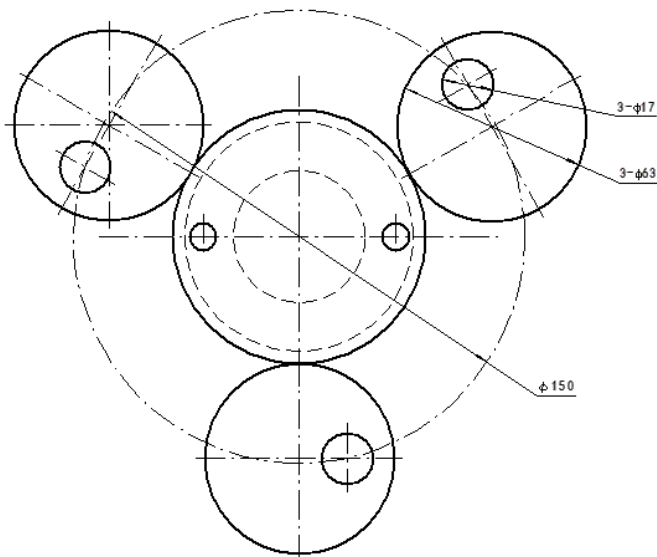
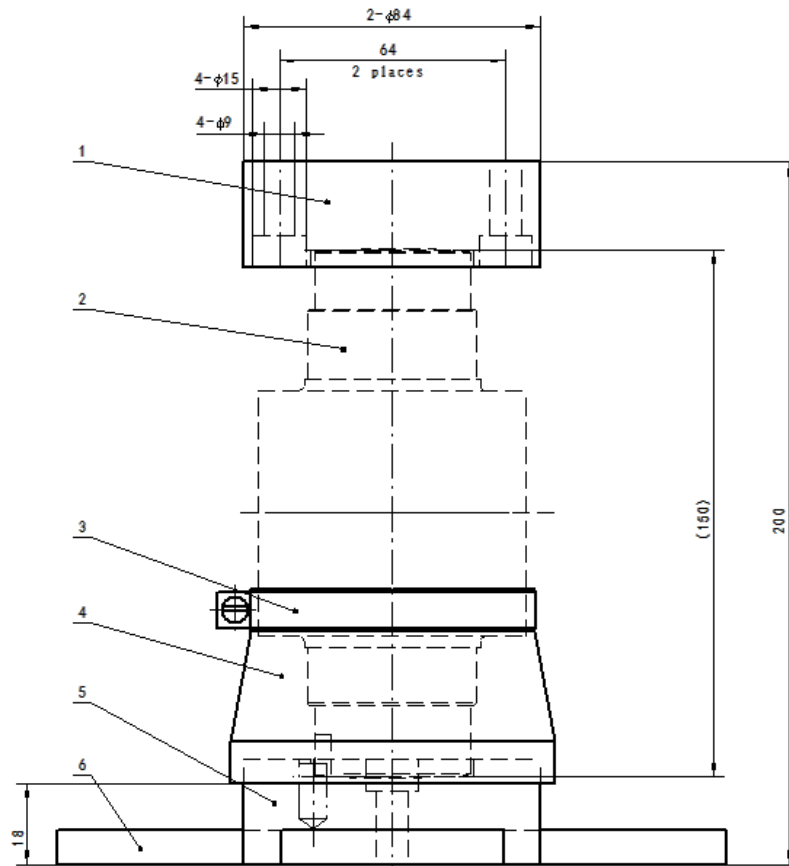
Specifications and dimensions are subject to change without notice and do not constitute any liability whatsoever.

Dimensions in mm



Specifications and dimensions are subject to change without notice and do not constitute any liability whatsoever.

## Rocker support dimensions in mm



### Part list

Part No.	1	2	3	4	5	6
Name	Upper Button	Load Cell	Tube Clip	Dust Cover	Bottom Button	Eccentric washers
Quantity	1	1	1	1	1	3

Specifications and dimensions are subject to change without notice and do not constitute any liability whatsoever.