



Short Description



- Nickel plated alloy steel IP67 shear beam load cell
- Used on the hoist cable to monitor the weight lifted
- Suitable for measuring rope extension force

Non-OIML approved

Available Models

Capacity	Accuracy	Full Article Description
0.5t	G5	H9Z2-G5-0.5t-2T
1t	G5	H9Z2-G5-1t-2T
1.5t	G5	H9Z2-G5-1.5t-2T
2.5t	G5	H9Z2-G5-2.5t-2T
5t	G5	H9Z2-G5-5t-2T
10t	G5	H9Z2-G5-10t-2T

Specifications and dimensions are subject to change without notice and do not constitute any liability whatsoever.

Technical Specifications H9Z2

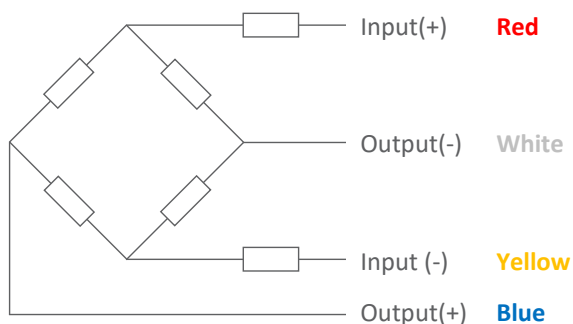
Accuracy Class		G5		
Output Sensitivity (= FS)	mV/V	0.57 ± 0.02	0.8 ± 0.02	1.0 ± 0.02
Maximum Capacity (E _{max})	kg	0.5	1, 1.5, 2, 2.5, 5	10
Combined Error	%FS	≤± 0.5		
Creep Error (30 minutes)	%FS	≤± 0.1		
Temperature Effect on Zero (ZTC)	%FS/10°C	≤± 0.1		
Temperature Effect on Sensitivity (STC)	%FS/10°C	≤± 0.1		
Zero Balance	%FS	≤± 2.0		
Safe Overload	%FS	150		
Ultimate Overload	%FS	200		
Excitation, Recommended Voltage	V	5 ~ 12		
Excitation, Maximum Voltage	V	18		
Input Resistance	Ω	370 ± 10		
Output Resistance	Ω	350 ± 3.5		
Insulation Resistance (50V)	MΩ	≥5000		
Compensated Temperature	°C	-10 ~ + 40		
Operating Temperature	°C	-35 ~ + 65		
Storage Temperature	°C	-40 ~ + 80		
Load Cell Weight	kg	0.5t-2.5t: ~0.6	5t: ~0.9	10t: ~1.7
Element Material		Nickel Plated Alloy Steel		
Ingress Protection (acc. to EN 60529)		IP67		
Recommended Torque on Fixation Bolts	Nm	M10x30 : 50		
ATEX Classification (optional)		II 1G Ex ia IIC T4 Ga	II 1D Ex ia IIIC T ₂₀₀ 135°C Da	II 3G Ex ic IIC T4 Gc

Wiring

Features:

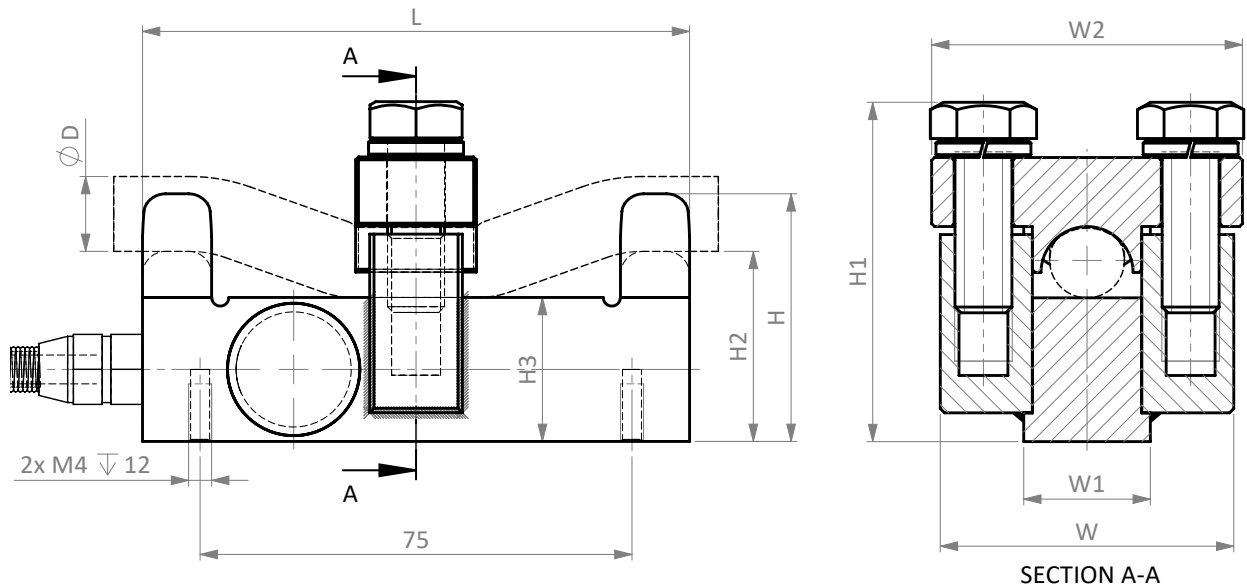
Cable type: Shielded, 4 conductor cable , conductor AWG 24
 Cable diameter: Ø 5.0mm
 Cable length: 2m
 Cable jacket: PVC
 Shield not connected to element

4-Wire Connection Diagram

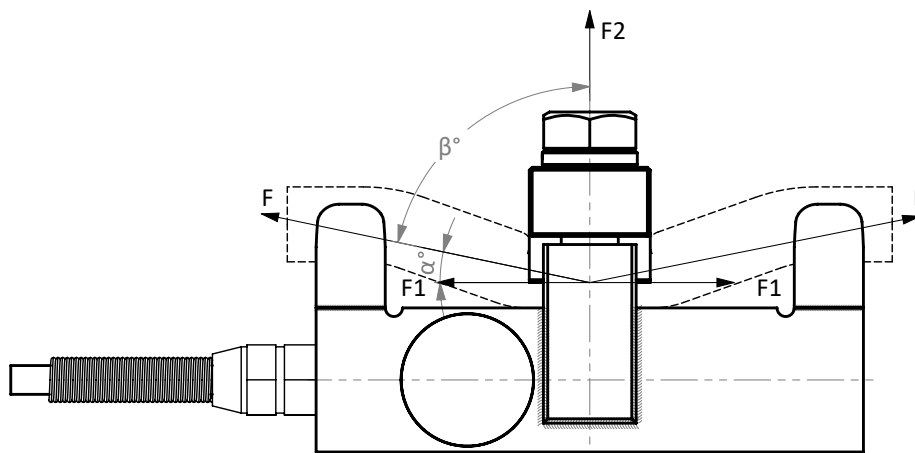


Dimensions in mm

Front View



Dimension \ Capacity	L	W	W1	W2	H	H1	H2	H3	ØD
0.5t	95	50	20	52	40	52-55	33.3	25	7 – 10
1t	95	50	20	52	40	56-58	33.3	25	11 – 13
1.5t	95	52	22	54	43	59-61	32.8	25	13 – 15
2.5t	95	52	22	54	43	62-64	32.8	25	15 – 17
5t	101	58	28	60	48.5	66	33.5	25	18 – 20
10t	130	64	34	66	55	76-78	38.5	30	20 – 22



$$F1 = \cos \alpha \times F \quad F2 = \cos \beta \times F$$