



Short description



- Stainless steel IP67 shear beam load cell
- Low profile
- Suitable for hopper, floor and other electronic scales
- Current calibrated (SC-option)



Test certificate no. TC7809 Revision 0



C of C no R60/2000-NL1-10.14 Revision 1

Certificate no. 12-029

Available models

| Capacity | Accuracy | Full article description |
|----------|-----------------------|--------------------------|
| 200kg | C3 Excluded from OIML | B8Q-C3-200kg-3B-SC(-W6) |
| 500kg | C3 | B8Q-C3-500kg-3B-SC(-W6) |
| 1000kg | C3 | B8Q-C3-1000kg-3B-SC(-W6) |
| 2000kg | C3 | B8Q-C3-2000kg-3B-SC(-W6) |

Specifications and dimensions are subject to change without notice and do not constitute any liability whatsoever.

Type B8Q Load Cell

Technical specifications B8Q

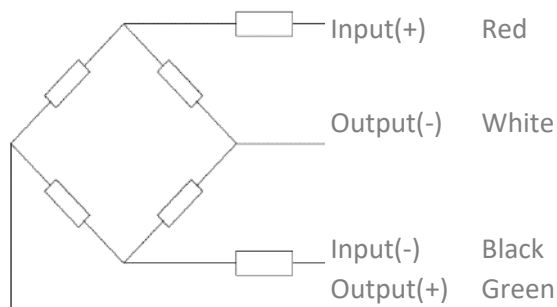
| | | | |
|--|-------------------------|---------------------|-----------------|
| Accuracy class | | C3 | OIML R60 C3 |
| Output sensitivity (= FS) | mV/V | 2.0 ± 0.002 | |
| Maximum capacity (E _{max}) | kg | 200 | 500, 1000, 2000 |
| Max. number of load cell intervals | n _{LC} | 3000 | |
| Ratio of min. LC verification interval | $Y = E_{max} / V_{min}$ | 10000 | 15000 |
| Combined Error | %FS | ± 0.0230 | |
| Minimum dead load | Of E _{max} | 0% | |
| Safe overload | of E _{max} | 150 % | |
| Ultimate overload | of E _{max} | 300 % | |
| Zero balance | of FS | < ± 1.0 % | |
| Excitation, recommended voltage | V | 5 ~ 12 | |
| Excitation maximum | V | 18 | |
| Input resistance | Ω | 1106 ± 5 | |
| Output resistance | Ω | 1000 ± 3 | |
| Insulation resistance | MΩ | ≥ 5000 (at 50VDC) | |
| Compensated temperature | °C | -10 ~ +40 | |
| Operating temperature | °C | -35 ~ +65 | |
| Storage temperature | °C | -40 ~ +80 | |
| Element material | | Stainless steel | |
| Ingress Protection (acc. to EN 60529) | | IP67 | |
| Recommended torque on fixation | Nm | M12: 75 | |

Wiring

Wiring:

Shielded, 4 conductor cable
 Cable diameter: Ø5mm
 Standard cable length: 3m
 Shield not connected to element

4-wire diagram

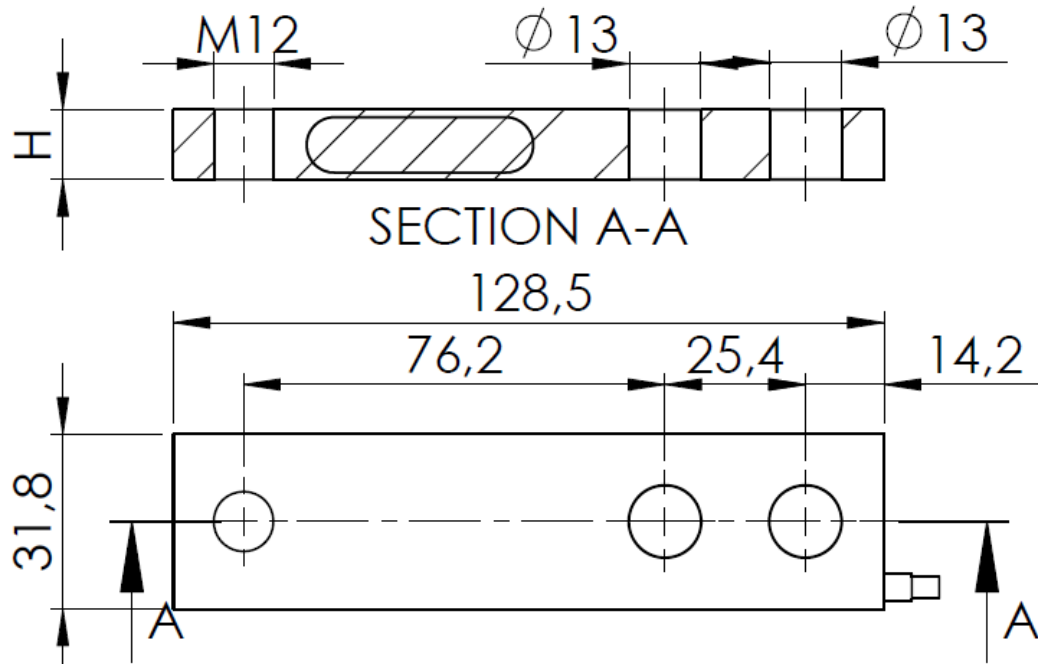


Specifications and dimensions are subject to change without notice and do not constitute any liability whatsoever.

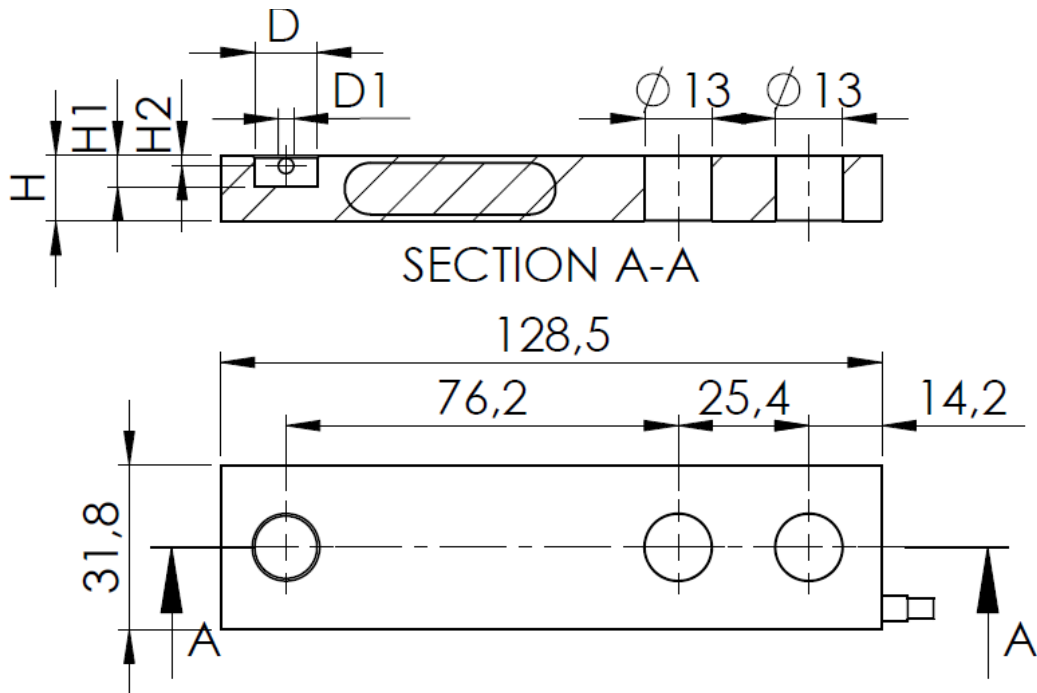
Type B8Q Load Cell

Dimensions in mm

Standard version



Option W6 version ("T" end loading hole)

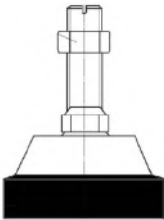
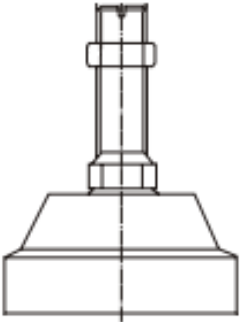
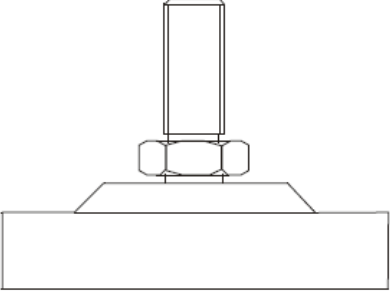
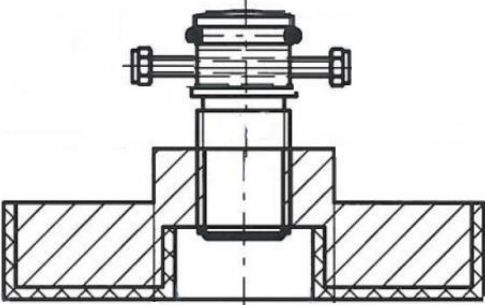


| Dimension Capacity | H | H1 | H2 | ϕD | $\phi D1$ |
|--------------------|------|-----|-----|----------|-----------|
| 200kg | 12.7 | 6 | 2 | 12.1 | 3 |
| 500kg | 15.9 | 9.5 | 2.8 | 18.1 | 4 |
| 1000kg | 19.1 | 9.5 | 2.8 | 18.1 | 4 |
| 2000kg | 25.4 | 9.5 | 2.8 | 18.1 | 4 |

Specifications and dimensions are subject to change without notice and do not constitute any liability whatsoever.

Type B8Q Load Cell

Available accessories

| | |
|---|--|
| <p>BJ-8-202-0.5-5t foot</p> <ul style="list-style-type: none">• $\varnothing 60-80$ and height 92-105 mm• Stainless Steel• Adjustable height |  |
| <p>BJ-8-205-0.5-2t foot</p> <ul style="list-style-type: none">• $\varnothing 88$ and height 105 mm• Easy installation• Adjustable height• Automatically centralized inside• Good ability of anti-side loading• Mainly used for platform scales, floor scales and other electronic weighing devices |  |
| <p>BJ-8-215-0.5-2t foot</p> <ul style="list-style-type: none">• $\varnothing 81$ and height 48 mm• Easy installation• Adjustable height• Automatically centralized inside• Good ability of anti-side loading• Mainly used for platform scales, floor scales and other electronic weighing devices |  |
| <p>BJ-8-250-0.2-2t foot</p> <ul style="list-style-type: none">• $\varnothing 60-80$ and height 30-51 mm• Easy installation• Suitable for W6 option |  |

Specifications and dimensions are subject to change without notice and do not constitute any liability whatsoever.