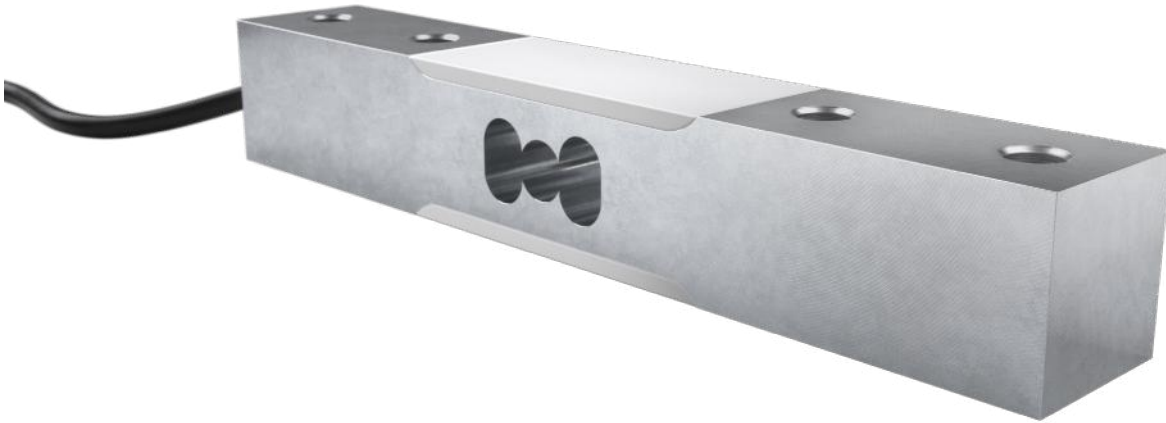

PA1 miniature single-point load cell



product description

The PA1 is a series of low capacity, aluminium single-point load cells intended for a wide range of industrial applications.

Due to their compact design, the PA1 can be integrated into low-capacity weighing machinery, medical devices and general machinery for process automation and control.

The PA1 has a broad range of capacities, extending from 0.3kg to 20kg. It features full-bridge, bonded-foil strain gauge technology, which offers excellent long-term stability.

applications

General test and measurement and machine monitoring and control. Ideal for small scales, packaging and assembly machinery or end-of-line test equipment.

accessories

A comprehensive range of electronic modules and accessories available

key features

Very low capacity single-point
from 300g to 20,000g

Slim and compact design

High-performance longevity

Built from high-grade aluminium

High accuracy $\pm 0.10\%$

Environmental protection to IP67

options

Range of cable lengths

Flying leads or cable connectors



specifications

Maximum Capacity (E_{max})	kg	0.3, 0.5, 1, 2, 3	5, 8, 10, 15, 20
Rated Output (RO)	mV/V	0.5 ±10%	1.5 ±10%
Accuracy Class	-	Non-Approved	
Temperature effect on minimum dead load output (TC_0)	-	N/A	
Temperature effect on sensitivity	-	N/A	
Combined Error	%*RO	±0.10	
Creep Error (30 mins)/DR	%*RO	±0.10	
Zero Balance	%*RO	≤ ±10	
Excitation Voltage	V	5.....15	
Input Resistance (R_{LC})	Ω	350 ±15	
Output Resistance (R_{out})	Ω	350 ±50	
Insulation Resistance (100 VDC)	MΩ	≥ 5,000	
Off center load error (According to OIML test method)	%RO/cm	0.16	0.08
Safe Load Limit (E_{lim})	%* E_{max}	150	
Ultimate Load	%* E_{max}	300	
Off-centre load error	%*RO/cm	0.16	0.08
Maximum Platform Size	mm	200x200	
Operating Temperature Range	°C	-20.....+65	
Load Cell Material	-	Aluminium	
Sealing	-	Potted	
Protection according to EN 60 529	-	IP67	
Recommended Torque	Nm	2	

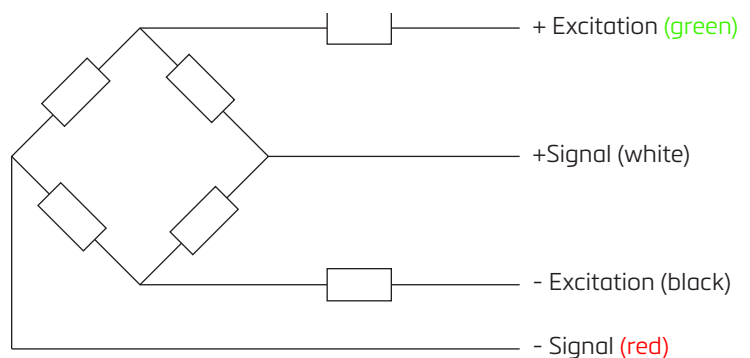
wiring

The sensor is provided with a 28AWG 4-conductor cable

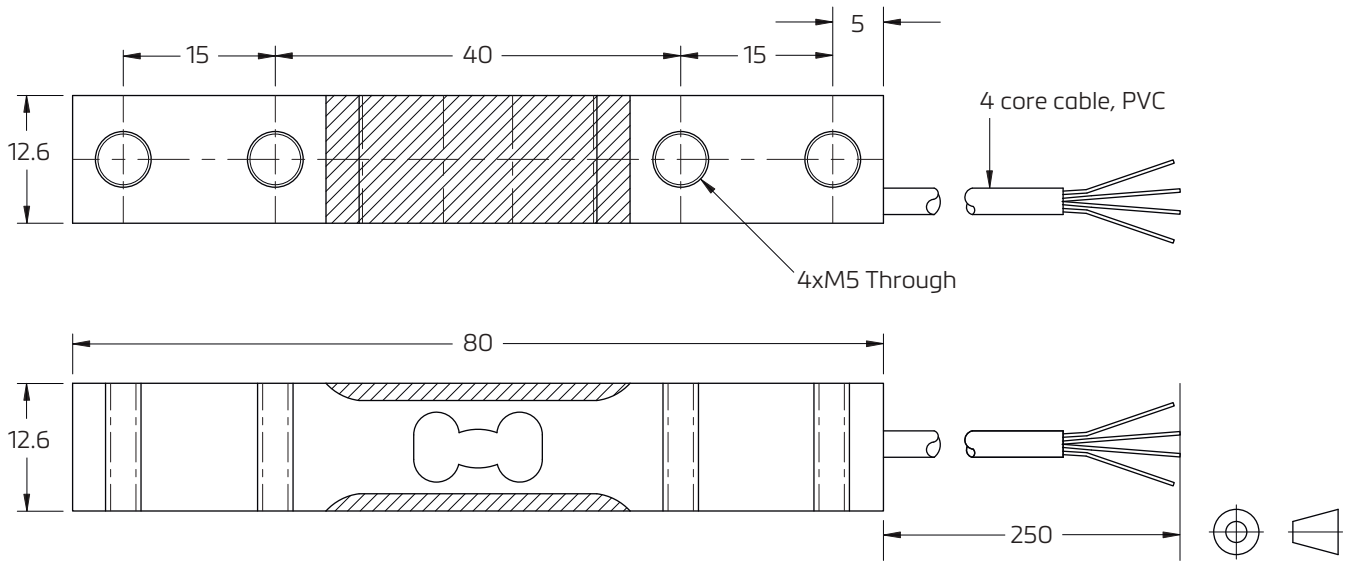
Please note that the cable shield isn't used to ground the load cell

Standard cable jacket: PVC

Standard cable length: 250mm



product dimensions (mm)



Specifications and dimensions are subject to change without notice.