

Type: Compression (Spoke Type)

Material: Stainless Steel

Protection: IP 68

Features: Anti-Corrosion
Low Profile

Application: Truck & Silo Scales
Hopper Weigher
Industrial Weighers

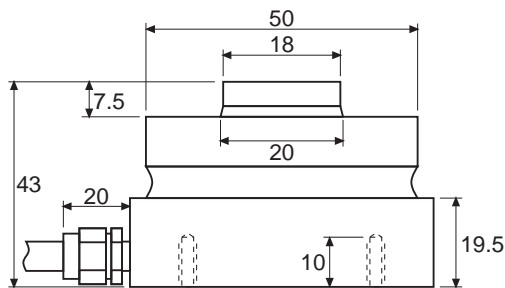


Specifications:

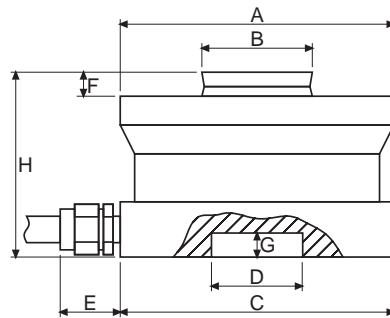
Capacity	t	1 / 2.2 / 3.3 / 4.7 / 10 / 15 / 22 / 33 / 47 / 68 / 100 / 150
Accuracy Class		C3
Max. Number of Verification Intervals	n _{max}	3000
Minimum Load cell Verification Interval	V _{min}	E _{max} /10000
Temperature Effect on Zero	%FS/10°C	≤ ± 0.018
Temperature Effect on Sensitivity	%FS/10°C	≤ ± 0.020
Combined Error	%FS	≤ ± 0.025
Creep	%FS	≤ ± 0.019
Output Sensitivity	mv/v	2.85 ± 0.015
Input Resistance	Ω	1450 ± 10 / 4400 ± 100
Output Resistance	Ω	1405 ± 5 / 4010 ± 10
Insulation Resistance	MΩ	≥ 5000
Zero Balance	%FS	1.0
Temperature, Compensated	°C	-10 ~ +50
Temperature, Operating	°C	-30 ~ +70
Excitation, Recommended	v	10 ~ 12(DC)
Safe Overload	%FS	150
Ultimate Overload	%FS	200
Standard Cable Length	m	8 (14.7t) , 12 (10-33t) , 16 (47-150t)

Dimensions:

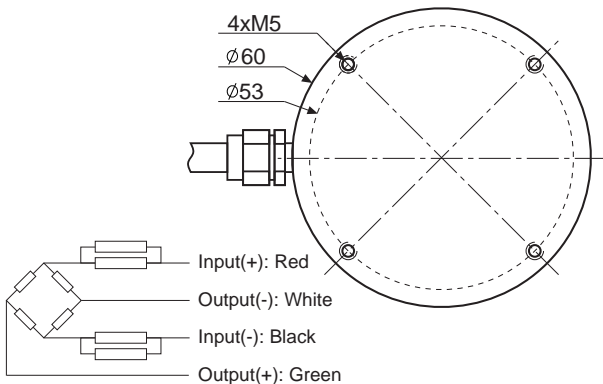
1~4.7t



10~150t



CAP.(t)	A	B	C	D	E	F	G	H
10 - 22	75	30	75	25	20	6.5	7	50
33	95	40	95	25	20	10	7	65
47	130	60	130	25	20	14	7	75
68	130	60	130	25	20	14	7	85
100	150	70	150	25	20	16	7	90
150	150	70	150	25	20	16	7	100



All dimensions: mm.