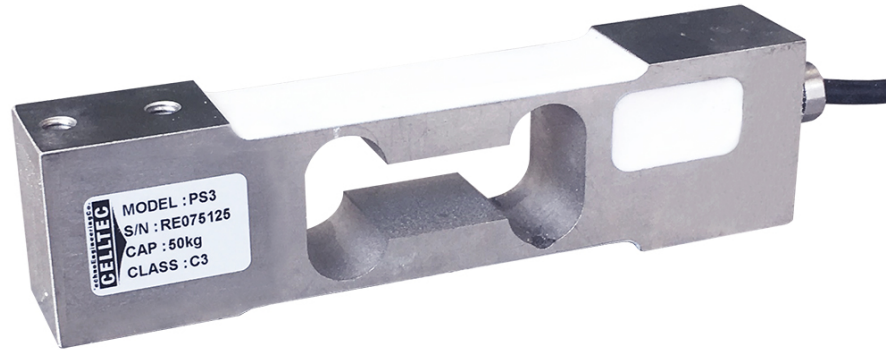


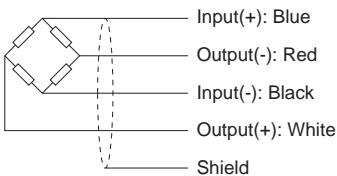
- Type:** Single Point
- Material:** Stainless Steel
- Protection:** IP 65
- Features:** Suggested Platform Size: 400 x 400 mm
- Application:** Bench Scales  
Multi Head Weighers  
Check Weighers



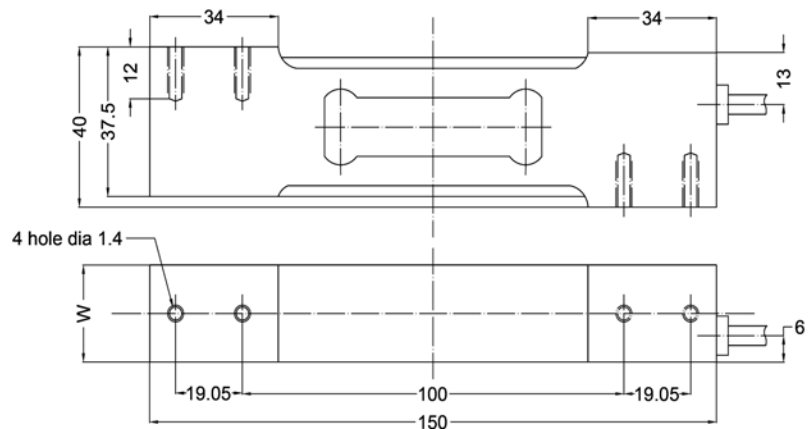
*Specifications:*

Capacity	kg	5 / 8 / 10 / 15 / 20 / 30 / 50 / 100	
Accuracy Class		<b>C3</b>	<b>C4</b>
Max. Number of Verification Intervals		3000	4000
Minimum Load cell Verification Interval		$E_{max}/7000$	$E_{max}/12000$
Temperature Effect on Zero	%FS/10°C	$\leq \pm 0.0205$	$\leq \pm 0.0138$
Temperature Effect on Sensitivity	%FS/10°C	$\leq \pm 0.0178$	$\leq \pm 0.0152$
Combined Error	%FS	$\leq \pm 0.0200$	$\leq \pm 0.0172$
Creep	%FS	$\leq \pm 0.0170$	$\leq \pm 0.0160$
Output Sensitivity	mv/v	2.0 ± 0.3	
Input Resistance	Ω	400 ± 20	
Output Resistance	Ω	350 ± 5	
Insulation Resistance	MΩ	≥ 5000	
Zero Balance	%FS	2	
Temperature, Compensated	°C	-10 ~ +40	
Temperature, Operating	°C	-20 ~ +50	
Excitation, Recommended	v	5 ~ 15	
Safe Overload	%FS	150	
Ultimate Overload	%FS	300	
Standard Cable Length	m	3	

*Dimensions:*



CAP.(Kg)	W
5,8,10,15,20,30	20
50,100	25.2



All dimensions: mm.