

**Type:** Single Ended Beam

**Material:** Stainless Steel

**Protection:** IP 68

**Features:** Low Profile  
Anti-Explosion

**Application:** Pallet Scales  
Hopper Scales  
Process Weighing  
Food Industries  
Overhead Track

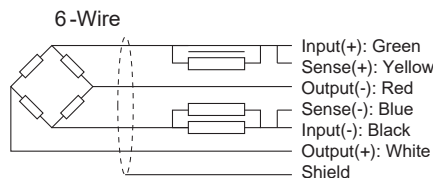
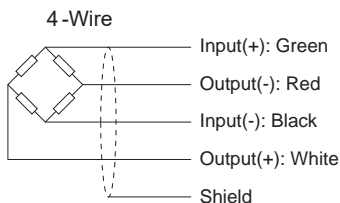
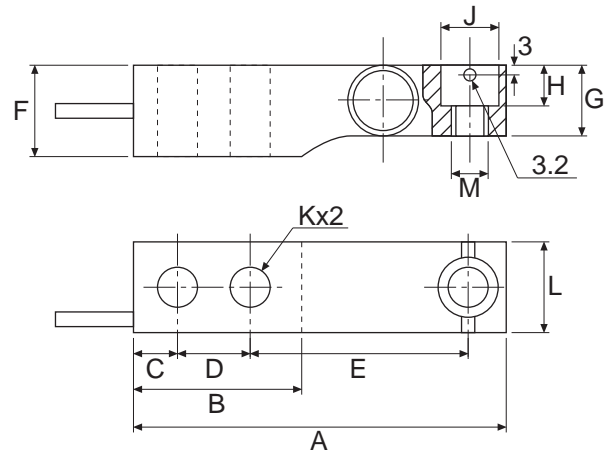


*Specifications:*

Capacity	t	0.5 / 1 / 1.5 / 2 / 5	
Accuracy Class		C3	C4
Max. Number of Verification Intervals	n <sub>max</sub>	3000	4000
Minimum Load cell Verification Interval	V <sub>min</sub>	E <sub>max</sub> /10000	E <sub>max</sub> /14000
Temperature Effect on Zero	%FS/10°C	≤ ± 0.0165	≤ ± 0.0100
Temperature Effect on Sensitivity	%FS/10°C	≤ ± 0.0137	≤ ± 0.0095
Combined Error	%FS	≤ ± 0.0230	≤ ± 0.0175
Creep	%FS	≤ ± 0.0165	≤ ± 0.0138
Output Sensitivity	mv/v	2.0 ± 0.02	
Input Resistance	Ω	350 ± 3.5 / 1000 ± 10	
Output Resistance	Ω	350 ± 3.5 / 1000 ± 10	
Insulation Resistance	MΩ	≥ 5000	
Zero Balance	%FS	1.0	
Temperature, Compensated	°C	-10 ~ +40	
Temperature, Operating	°C	-30 ~ +70	
Excitation, Recommended	v	5 ~ 15(DC)	
Safe Overload	%FS	150	
Ultimate Overload	%FS	300	
Standard Cable Length	m	6.00	

*Dimensions:*

CAP.(t)	A	B	C	D	E	F	G	H	L	J	K	M
0.5	130	57.1	15.5	25.4	76.2	31.8	26	14.2	31.8	20.5	13	M12x1.75
1.0	130	57.1	15.5	25.4	76.2	31.8	27.95	14.2	31.8	20.5	13	M12x1.75
1.5,2.0	130	57.1	15.5	25.4	76.2	35.9	31.95	14.2	31.8	20.5	13	M12x1.75
5.0	172	76.2	19.1	38.1	95.3	44	40	20	38	30.2	20.5	M20x2



All dimensions: mm.