

Type: Loadcell Mounting (For BN8)

Material: Stainless Steel

Features: Easy installation

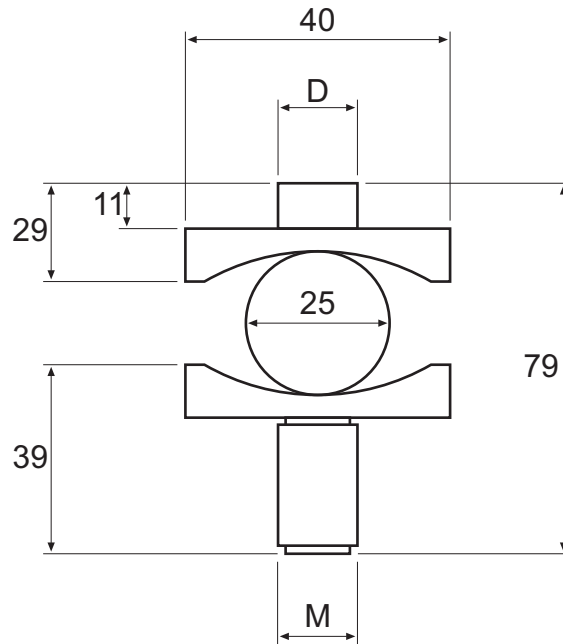
Application: Pallet Scales
Hopper Scales
Process Weighing
Food Industries
Overhead Track



Specifications:

Capacity	t	0.5 / 1 / 2	2.5 / 3 / 5
Maximum vertical force (down)	kN	20	50

Dimensions:



CAP.(t)	D	M
0.5~2	12	M12x1.75
2.5~5	20	M20x2.5

All dimensions: mm.